

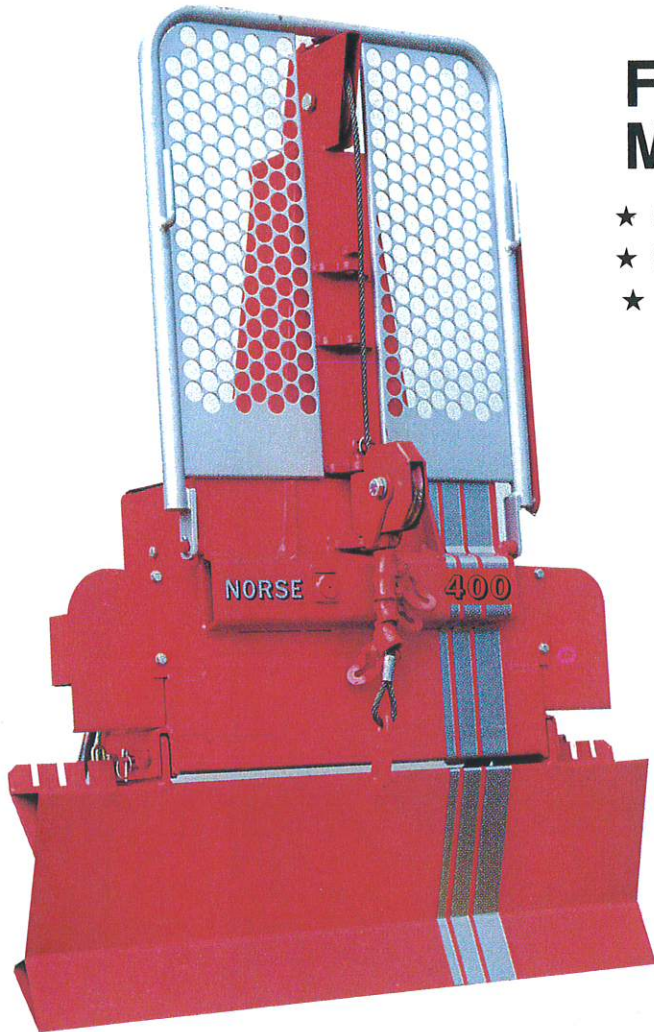
# NORSE

## 400



**3-POINT HITCH FOREST  
WINCH WITH  
MANY PLUS-VALUES**

# NORSE 400



## FOREST WINCH WITH MANY PLUS-VALUES

- ★ SOLID, SIMPLE AND EASY TO OPERATE.
- ★ 3-POINT HITCH MOUNTED.
- ★ IDEAL FOR AGRICULTURAL TRACTORS, 40 – 75 HP.
  - ★ NORSE 400 IS A TYPICAL ALL-ROUND WINCH FOR FARMERS AND WOODLAND OWNERS.
  - ★ DRIVEN FROM TRACTOR P.T.O.
  - ★ COMPACT, LIGHT CONSTRUCTION. MADE OF DOMEX SPECIAL HARDENED QUALITY STEEL.
  - ★ HINGED BUTT PLATE.
  - ★ OPTIONAL POSITIONING OF THE HAUL-IN BLOCK.
  - ★ GRILL GUARD ALSO USED AS A PARKING STAND.
  - ★ SEMI-AUTOMATIC RATCHET BRAKE, CORD OPERATED.
  - ★ CORD OPERATED CLUTCH WITH LIGHT PULL.
  - ★ NORSE 400 IS IDEAL FOR RADIO REMOTE CONTROL.
  - ★ THE WINCH HAS EXCELLENT PROTECTION AGAINST ALL WEATHER CONDITIONS.

### – ADDITIONAL EQUIPMENT:

- FORMEK RC 90 Radio Remote Control
- Fixed butt plate.

### TECHNICAL SPECIFICATIONS:

Pulling capacity, inner layer . . .	8900 lbs (4000 kp)
Pulling capacity, outer layer . . .	4900 lbs (2200 kp)
Required tractor output . . . . .	40-75 hp
Max. torque input to winch . . . .	55 kpm
3-point hitch mounting . . . . .	Cat. 1 or 2
Average cable speed . . . . .	4,4 ft/sec (1,33 m/sec)
Min. cable speed . . . . .	2,9 ft/sec (0,84 m/sec)
Max. cable speed . . . . .	6,0 ft/sec (1,81 m/sec)
Cable capacity – 5/16" (8 mm)	330 ft (100 m)
– 11/32" (9 mm)	240 ft (75 m)
– 3/8" (10 mm)	200 ft (60 m)

Recommended wire rope . . . . .	165 ft-3/8" (50 m - 10 mm)
Recommended P.T.O. shaft . . .	W2200 – A3
Max. width . . . . .	4,3 ft (1300 mm)
Max. height with butt plate and safety grill . . . . .	5,8 ft (1770 mm)
Weight complete winch, ex. cable . . . . .	480 lbs (220 kg)

(At a maximum permissible input shaft speed of 540 rpm.)

Technical specs are subject to change without notice.

• SØR STANGEBYE AS • ARENDAL

**Manufacturer:**



**TELLEFSDAL A.S.**

N-4992 FIANE, NORWAY

TEL.: +47-41-58 000 • FAX: +47-41-58 540

**General importer:**

**Dealer:**

### 9.3 WINCH DRUM DOESN'T ROTATE FREELY

- \* **Main shaft nut too tight.**
  - Adjust. (See chap. 6.1).
- \* **Spring, (pos. 4, page 16), is too loose or defective.**
  - Renew.
- \* **Drum travel impaired by rust.**
  - Strip down and clean rust from main shaft and/or renew shaft if necessary.
- \* **The clutch operating lever stiff in operation.**
  - Check clutch operating mechanism.
  - Lubricate and/or renew parts if necessary.

### 9.4 SPOOLING ON THE DRUM UNSATISFACTORLY

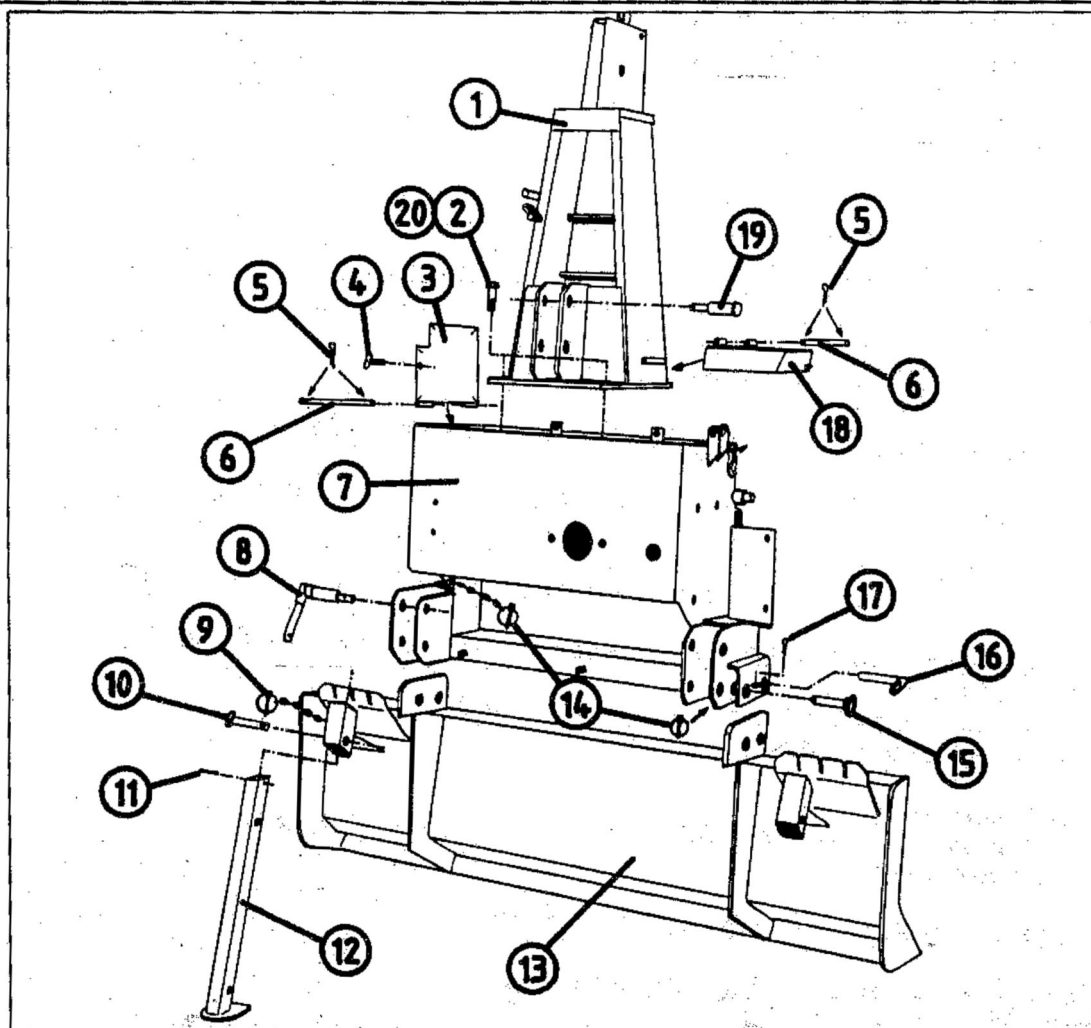
- \* **Rope must have even pressure during the winching operation.**
- \* **SWR not wound on the drum correctly initially.**
  - Pull out the rope entirely and rewind under even tension.
- \* **Drum brake not working correctly and allows the rope to "back-lash".**
  - Adjust brake as in chap. 6.2, and/or:
  - Renew brake shoe.
- \* **SWR too long.**
  - See techn. specs. for correct length. Adjust if necessary.
- \* **SWR damaged.** - Repair or renew.

### 9.5 WINCH NOISY IN OPERATION

- \* **Chain tightener incorrectly fitted or defective.**
  - Refit or renew.
- \* **Drive chain requires lubrication.**
- \* **Drive chain too loose or defective.**
  - Adjust or replace. (see chap. 6.3).
- \* **Drum basket damaged or bent into the drum, chain or chain-wheel.**
  - Adjust, repair or renew.
- \* **P.T.O. set up incorrectly.**
  - See chap. 4.3, and manufactures instructions.
- \* **Incorrect wound SWR damage drum basket and makes noise.**
  - Rewind under even tension, and:
  - check the drum brake. Defective ?? - adjust/repair.
  - If the rope is too long: - shorten as per specification.



# NORSE 400



POS.	ART.NO.	NO.	TERM-TYPE-DIMENSION	(400-1-1)
1	34490643	1	Tower	
2	34115600	2	Screw, M16 x 35	
3	34490697	1	Main cover, right	
4	34119068	1	Wing screw, M10 x 20	
5	34220150	4	Split pin, $\phi 3 \times 20$	
6	34100241	2	Hinge bolt, main cover	
7a	34490713	1	Winch housing	
7b	34490800	1	* Winch housing, (w/low gear)	
8	34105643	2	Liftingarm bolt, $\phi 22 / \phi 28$	
9	34200100	2	* Linch pin, 8mm	
10	34100511	2	* Locking bolt, parking stay	
11	34220101	2	* Locking splint, $\phi 6 \times 50$	
12	34630557	2	* Parking stay	
13a	34490719	1	Butt plate, hinged	
13b	34490556	1	* Butt plate, shovel type	
14	34200200	5	Linch pin, 10mm	
15	34101343	2	Locking bolt, butt plate	
16a	34100257	1	Hinge bolt, standard	
16b	34100259	1	Hinge bolt, parking stay	
17	34220702	2	Split pin, $\phi 6 \times 30$	
18	34490716	1	Main cover, left	
19	34105644	1	Top-stay bolt, $\phi 30 \times 114$	
20	34301000	2	Washer, $17 \times 30 \times 3$	

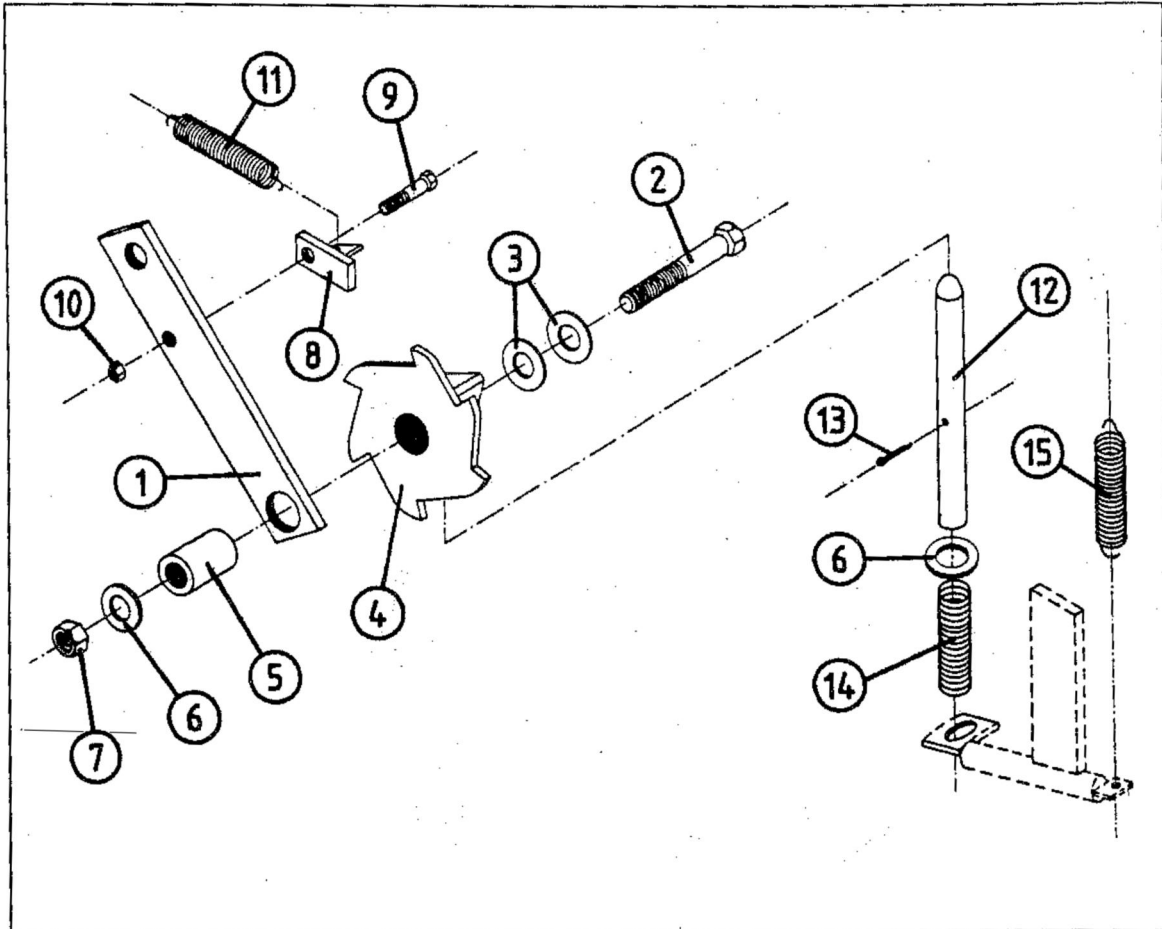
\* Only winches with shovel pan/low gear. (Extra equipment.)



TELLEFSDAL A.S.

STAVANGER

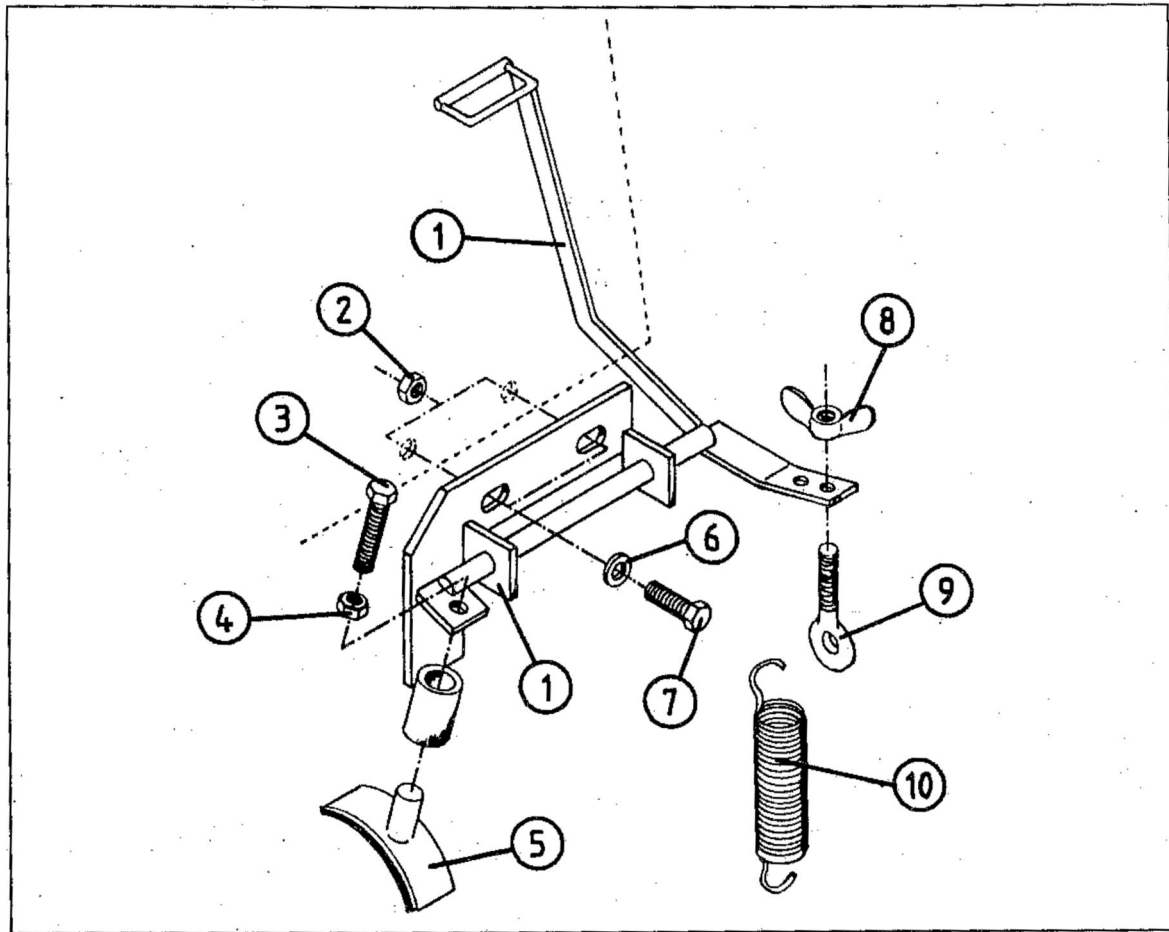
# NORSE 400



POS.	ART.NO.	NO.	TERM-TYPE-DIMENSION	(400 6-1)
	34490212	1	HALF AUT. LATCH BAR, CPL.	
1	34820213	1	Lever	
2	34114600	1	Screw, M12 x 60	
3	34432001	2	Plate spring, 16.5 x 31.5 x 1.5	
4	34490218	1	Notch segment	
5	34370214	1	Distance casing, $\phi 17.2 \times 2.35 \times 13$	
6	34302116	4	Washer, 13.5 x 24 x 2.5	
7	34231300	1	Locking nut, M12	
8	34490216	1	Guiding latch	
9	34117000	1	Screw, M6 x 25	
10	34230300	1	Locking nut, M6	
11	34430001	1	Return spring, $\phi 1.5 \times 14 \times 94$	
12	34820215	1	Connection bolt	
13	34220150	1	Split pin, $\phi 3 \times 20$	
14	34431001	1	Pressure spring, $\phi 3 \times 18 \times 65$	
15	34430002	1	Return spring, $\phi 3 \times 28 \times 85$	



# NORSE 400

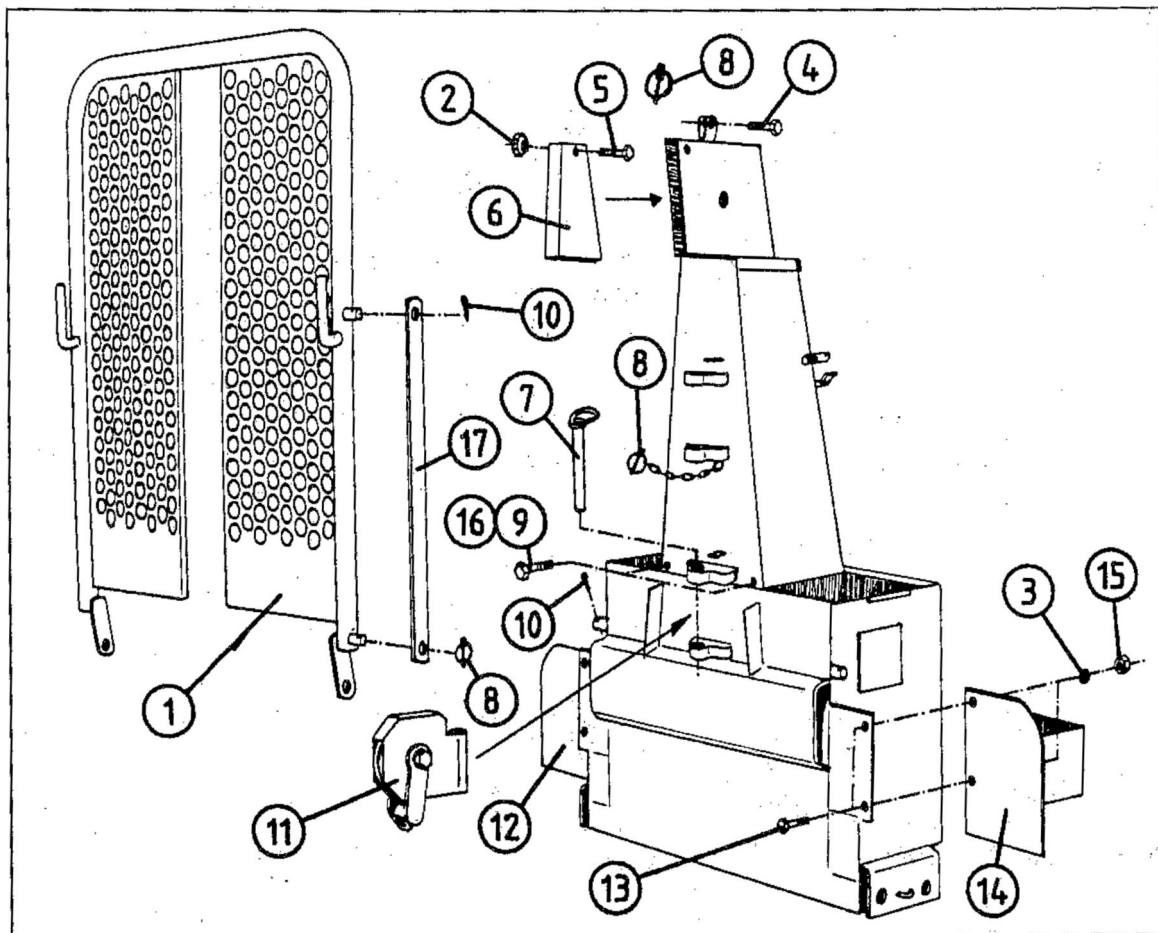


POS.	ART.NO.	NO.	TERM-TYPE-DIMENSION	(400 7-1)
------	---------	-----	---------------------	-----------

POS.	ART.NO.	NO.	TERM-TYPE-DIMENSION	(400 7-1)
<b>DRUM BRAKE</b>				
1	34490664	1	Brake arm with bracket	
2	34230900	2	Locking nut, M10	
3	34110016	1	Screw, M10 x 40	
4	34230800	1	Nut, M10	
5	34290673	1	Brake pad	
6	34302117	2	Washer, 11 x 20.5 x 2	
7	34110015	2	Screw, M10 x 25	
8	34239900	1	Wing nut, M8	
9	34119071	1	Eye screw, M8 x 60	
10	34430312	1	Return spring, $\phi 2.5 \times 25 \times 85$	



# NORSE 400



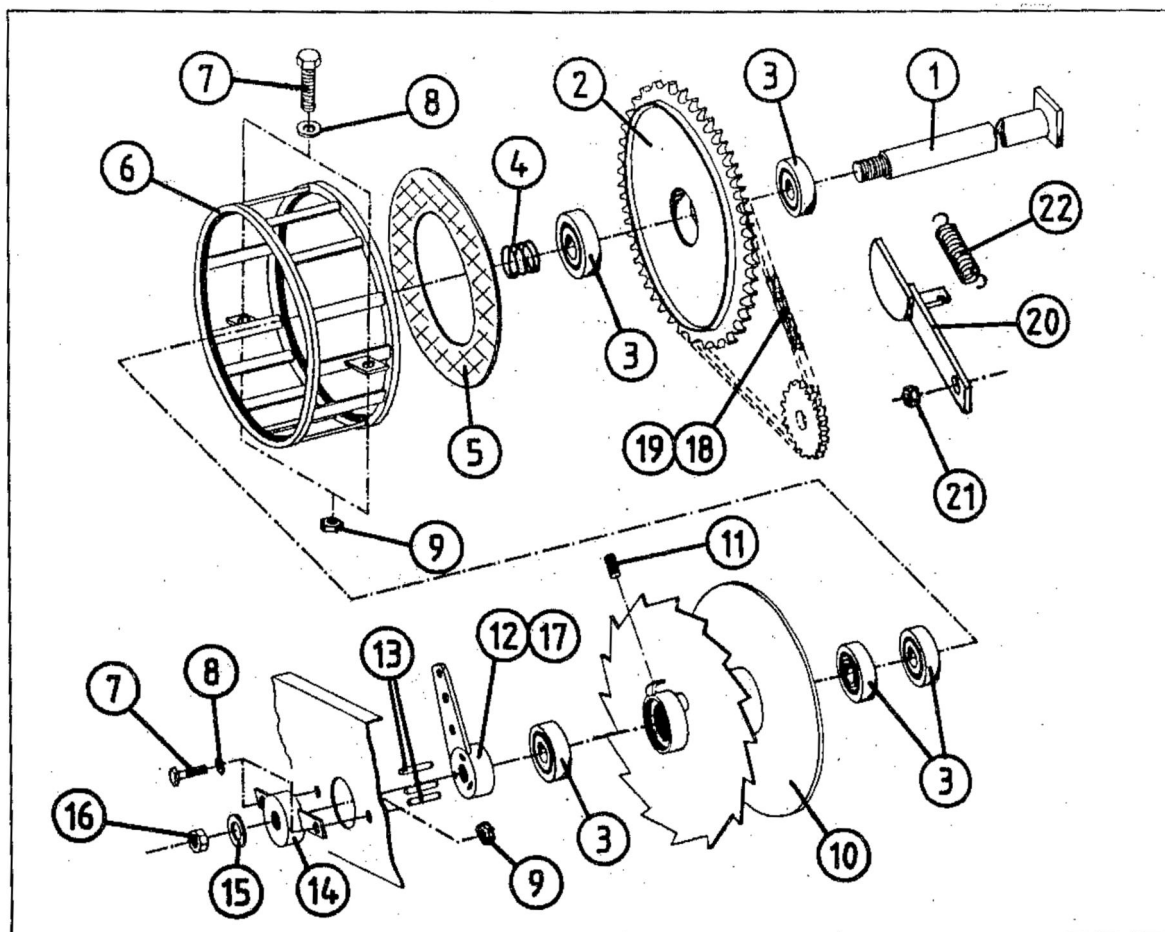
POS.	ART.NO.	NO.	TERM-TYPE-DIMENSION	(400 1-2)
1	34490718	1	Safety grill	
2	34230900	1	* Locking nut, M10	
3	34302117	4	Washer, 11 x 20,5 x 2	
4	34117200	1	Screw, M10 x 35	
5	34110018	1	* Screw, M10 x 60	
6	34490694	1	* Cover for upper roller	
7	34100140	1	Bolt, haul-in block	
8	34200000	3	Linch pin, 6mm	
9	34110106	2	Screw, M16 x 25	
10	34220701	3	Split pin, $\phi 5 \times 32$	
11	34390132	1	Haul-in block, compl. (See chap. 5-2)	
12	34490236	1	Side box, left	
13	34110015	4	Screw, M10 x 25	
14	34490232	1	Side box, right	
15	34230800	4	Nut, M10	
16	34301000	2	Washer, 17 x 30 x 3	
17	34490249	1	** Parking stay	

\* Extra equipment

\*\* Not for winches with shovel pan



# NORSE 400

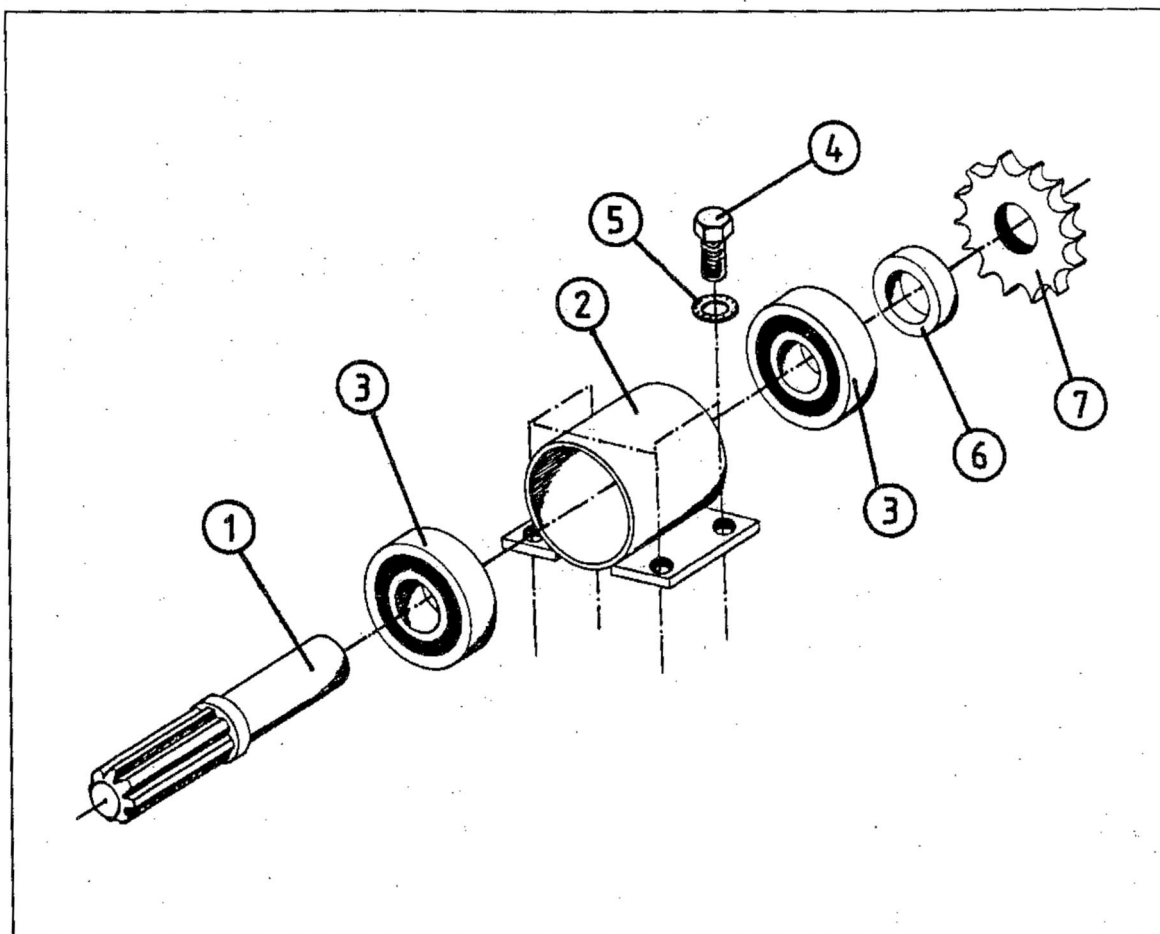


POS.	ART.NO.	NO.	TERM-TYPE-DIMENSION	(400 2-1)
<b>DRIVE</b>				
1	34130656	1	Main shaft, $\phi$ 35 x 394	
2	34810183	1	Chain wheel, 3/4"- 58	
3	34320522	5	Ball bearing, 6307 2RS	
4	34431533	1	Pressure spring, $\phi$ 5 x 36 x 31	
5	34291518	1	Clutch lining, $\phi$ 292 x 164 x 5	
6	34490179	1	Drum basket	
7	34110015	4	Screw, M10 x 25	
8	34302117	4	Washer, 11 x 20,5 x 2	
9	34230900	4	Locking nut, M10	
10	34490715	1	Wire rope drum	
11	34119065	1	Set screw, M12 x 16	
12	34910202	1	Clutch lever	
13	34911018	3	Clutch pin	
14	34910199	1	Clutch housing	
15	34301537	1	Washer, $\phi$ 33 x 56 x 3,5	
16	34239903	1	Locking nut, M30 x 2	
17	34060801	1	Grease nipple, M6	
18	34816601	1	Chain, single, 3/4" F.-71 links	
19	34818005	1	Chain lock, single, 3/4" F.	
20a	34810189	1	Chain tensioner	
20b	34810549	1	* Chain tensioner, main ch. (low gear)	
21	34231300	1	Locking nut, M12	
22	34430312	1	Return spring, $\phi$ 2.5 x 25 x 85	
* Only winches with low gear. (extra equipment)				

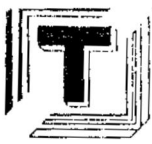




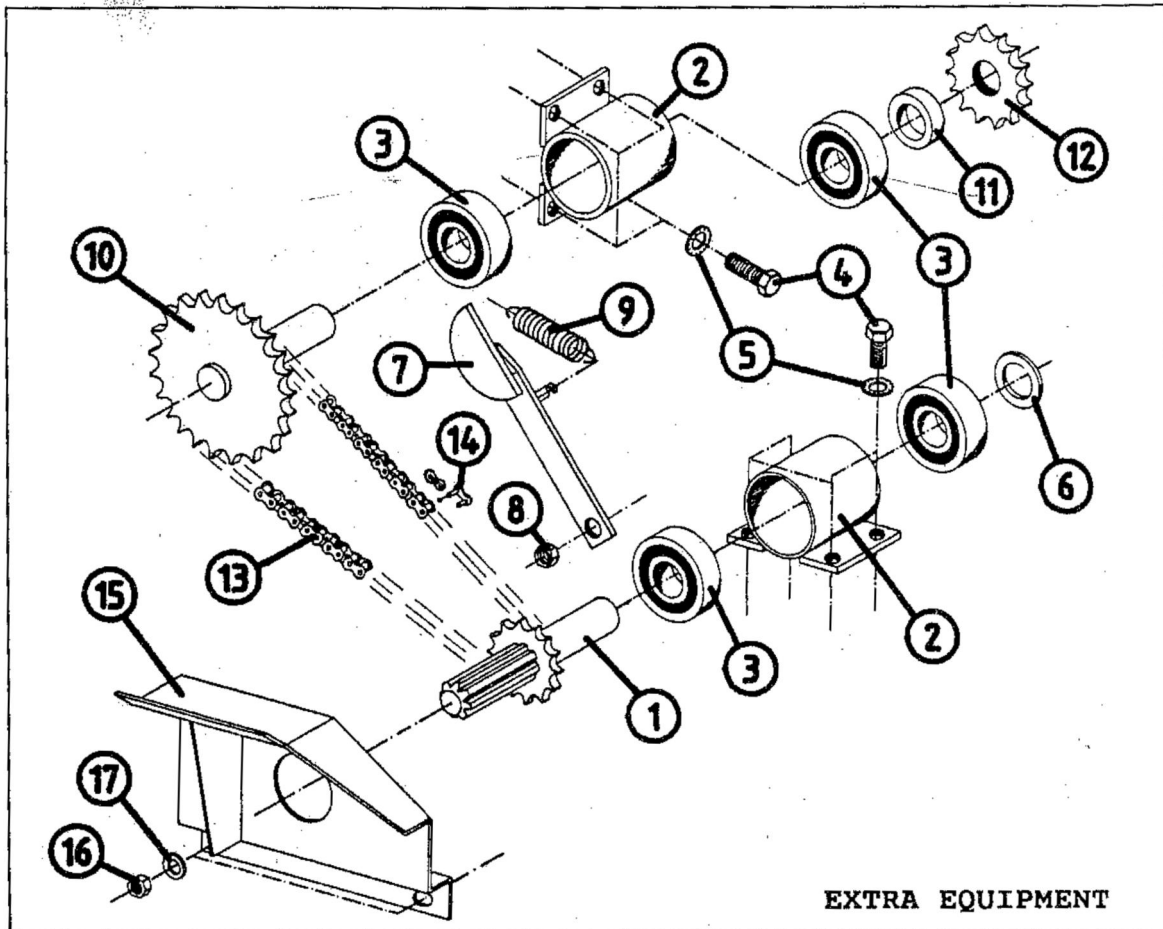
# NORSE 400



POS.	ART.NO.	NO.	TERM-TYPE-DIMENSION	(400 3-1)
	34810192	1	CHAIN DRIVE, CPL.	
1	34810193	1	Drive shaft	
2	34350196	1	Housing	
3	34321501	2	Ball bearing, 6306 2RS	
4	34110025	4	Screw, M12 x 20	
5	34312005	4	Locking washer, 12.7 x 20.5 x 0.9	
6	34370194	1	Casing, $\phi 45$ x 32 x 11	
7	34810195	1	Chain wheel, 3/4"-15, (welded)	



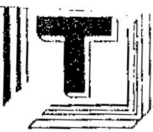
# NORSE 400



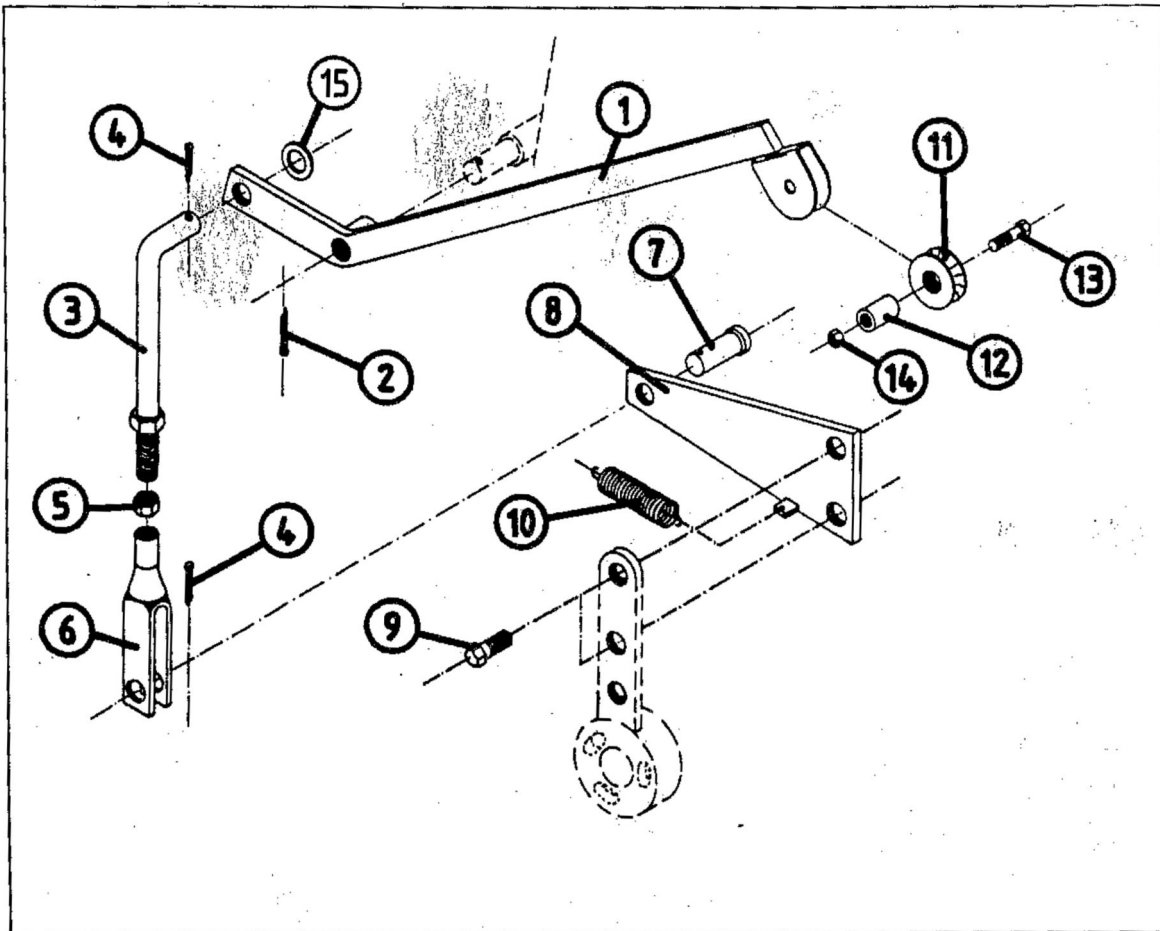
POS. ART.NO. NO. TERM-TYPE-DIMENSION (400 3-2)

POS.	ART.NO.	NO.	TERM-TYPE-DIMENSION	(400 3-2)
			<b>* LOW GEARING</b>	
1	34810543	1	Driveshaft with chain wheel, 3/4"-13	
2	34350196	2	Housing	
3	34321501	4	Ball bearing, 6306 2RS	
4	34110025	8	Screw, M12 x 20	
5	34312005	8	Locking washer, 12,7 x 20,5 x 0,9	
6	34301052	1	Washer, 30,5 x 47 x 4, (welded)	
7	34810550	1	Chain tensioner, low gear	
8	34231300	1	Locking nut, M12	
9	34430312	1	Return spring, $\phi$ 2,5 x 25 x 85	
10	34810546	1	Intermediate w/chain wheel, 3/4"-27	
11	34370194	1	Casing, $\phi$ 45 x 32 x 11	
12	34810195	1	Chain wheel, 3/4"-15, (welded)	
13	34816604	1	Chain, single, 3/4" F.-39 links	
14	34818005	1	Chain lock, single, 3/4" F.	
15	34910658	1	Chain cover	
16	34230900	2	Locking nut, M10	
17	34302117	2	Washer, 11 x 20,5 x 2	

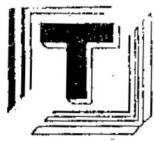
\* LOW GEARING IS EXTRA EQUIPMENT



# NORSE 400



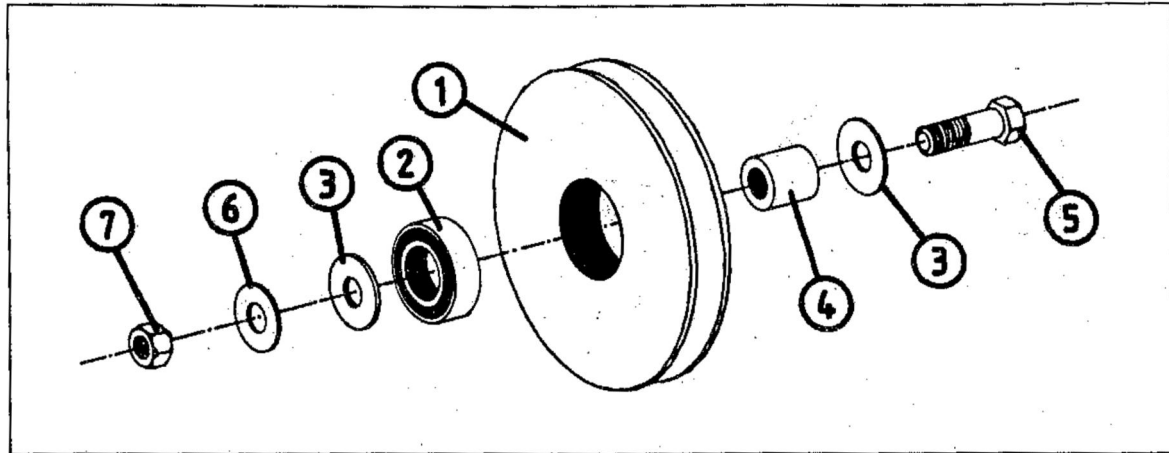
POS.	ART. NO.	NO.	TERM-TYPE-DIMENSION	(400 4-1)
<b>CONTROL SET</b>				
1	34910209	1	Control lever	
2	34220701	1	Split pin, $\phi 5 \times 32$	
3	34910662	1	Adjusting bar	
4	34220150	2	Split pin, $\phi 3 \times 20$	
5	34231200	1	Nut, M12	
6	34910184	1	Adjusting fork	
7	34101024	1	Bolt, $\phi 12 \times 36$	
8	34910205	1	Connection plate	
9	34115800	2	Screw, M12 x 25	
10	34430312	1	Return spring, $\phi 2,5 \times 25 \times 85$	
11	34391380	2	Jockey, plastic	
12	34371381	2	Casing	
13	34110001	2	Screw, M8 x 35	
14	34230500	2	Locking nut, M8	
15	34302116	1	Washer, $13,5 \times 24 \times 2,5$	
--	34820006	1	Control cord	



TELLEFSDAL A.S

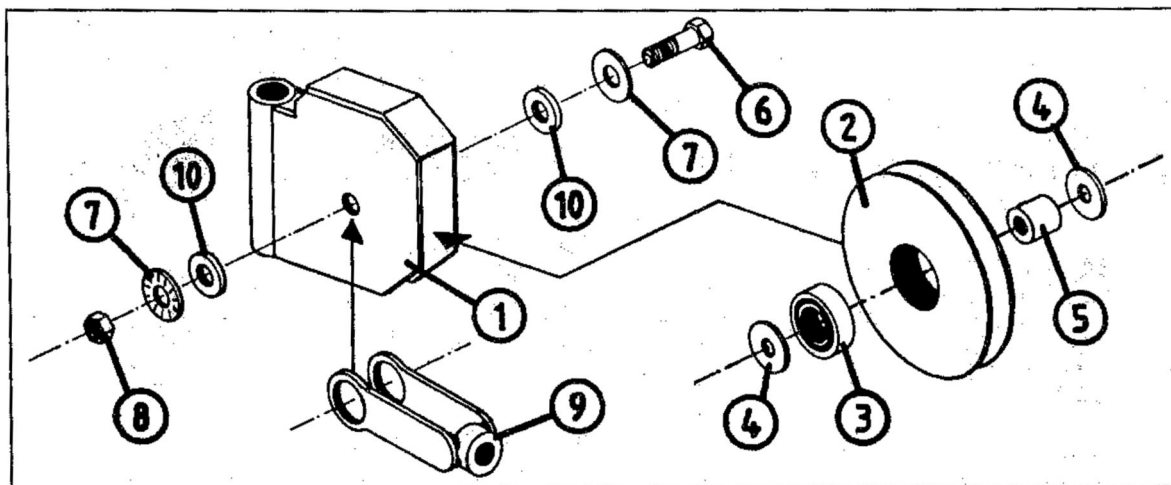
SPARE PARTS LIST

# NORSE 400



POS. ART.NO. NO. TERM-TYPE-DIMENSION (400 5-1)

POS.	ART.NO.	NO.	TERM-TYPE-DIMENSION
			<b>UPPER ROLLER</b>
1	34396002	1	Shive, $\phi$ 185
2	34320522	1	Ball bearing, 6307 2RS
3	34301091	2	Distance ring, 4 x 55 x 36
4	34371090	1	Casing, $\phi$ 36 x 28
5	34113200	1	Screw, M20 x 60
6	34312004	1	Locking washer, 21 x 33 x 1,4
7	34232900	1	Nut, M20



POS. ART.NO. NO. TERM-TYPE-DIMENSION (400 5-2)

	<b>34390132</b>	<b>1</b>	<b>HAUL-IN BLOCK, CPL.</b>
1	34390261	1	Housing
2	34396003	1	Shive, $\phi$ 145
3	34320522	1	Ball bearing, 6307 2RS
4	34301091	2	Distance ring, 4 x 55 x 36
5	34371090	1	Casing, $\phi$ 36 x 28
6	34110063	1	Screw, M20 x 90
7	34301200	2	Washer, 21 x 37 x 3
8	34233000	1	Locking nut, M20
9	34390137	1	Wire rope guide
10	34370136	2	Distance casing, $\phi$ 32 x 20 x 10