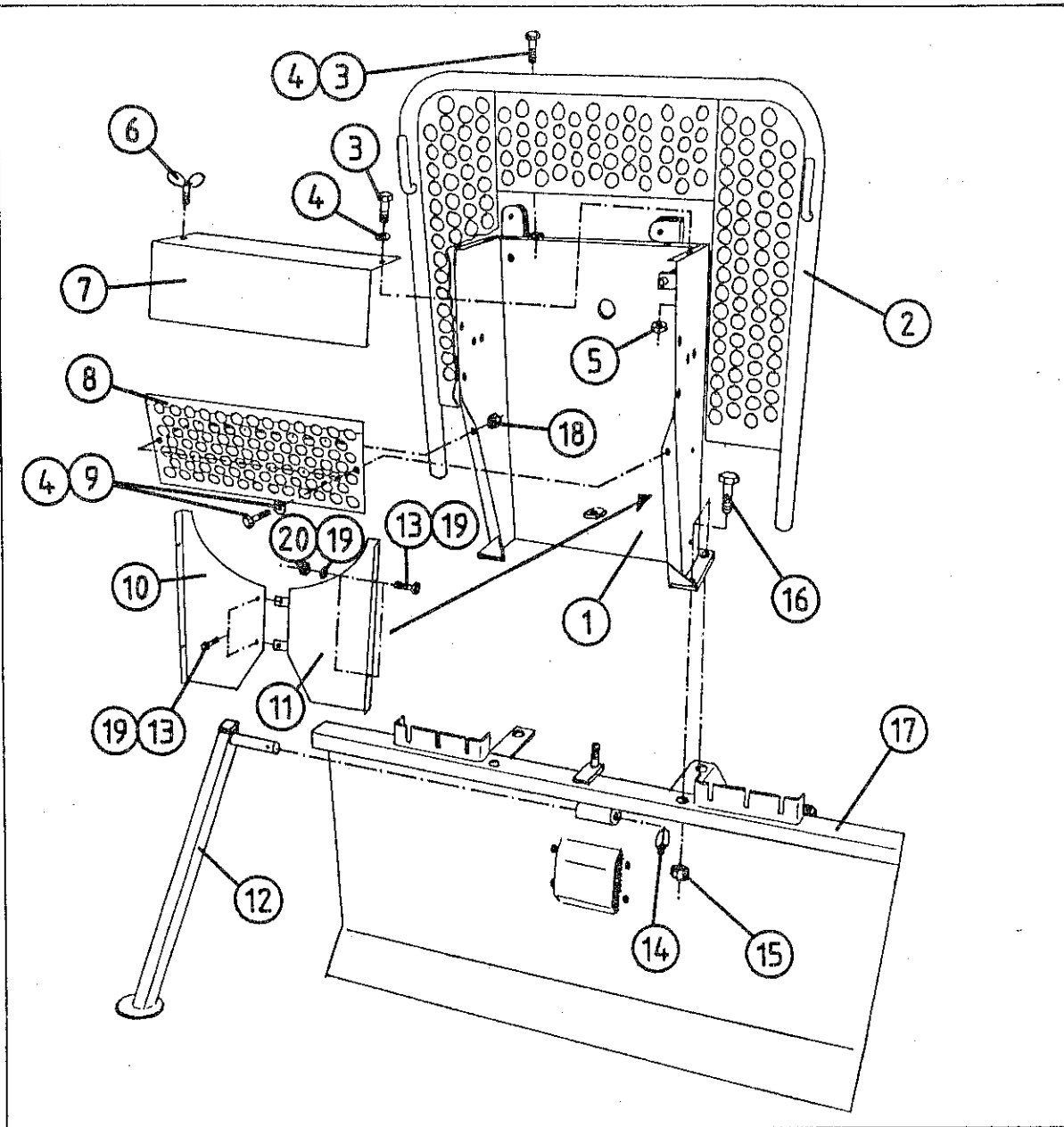


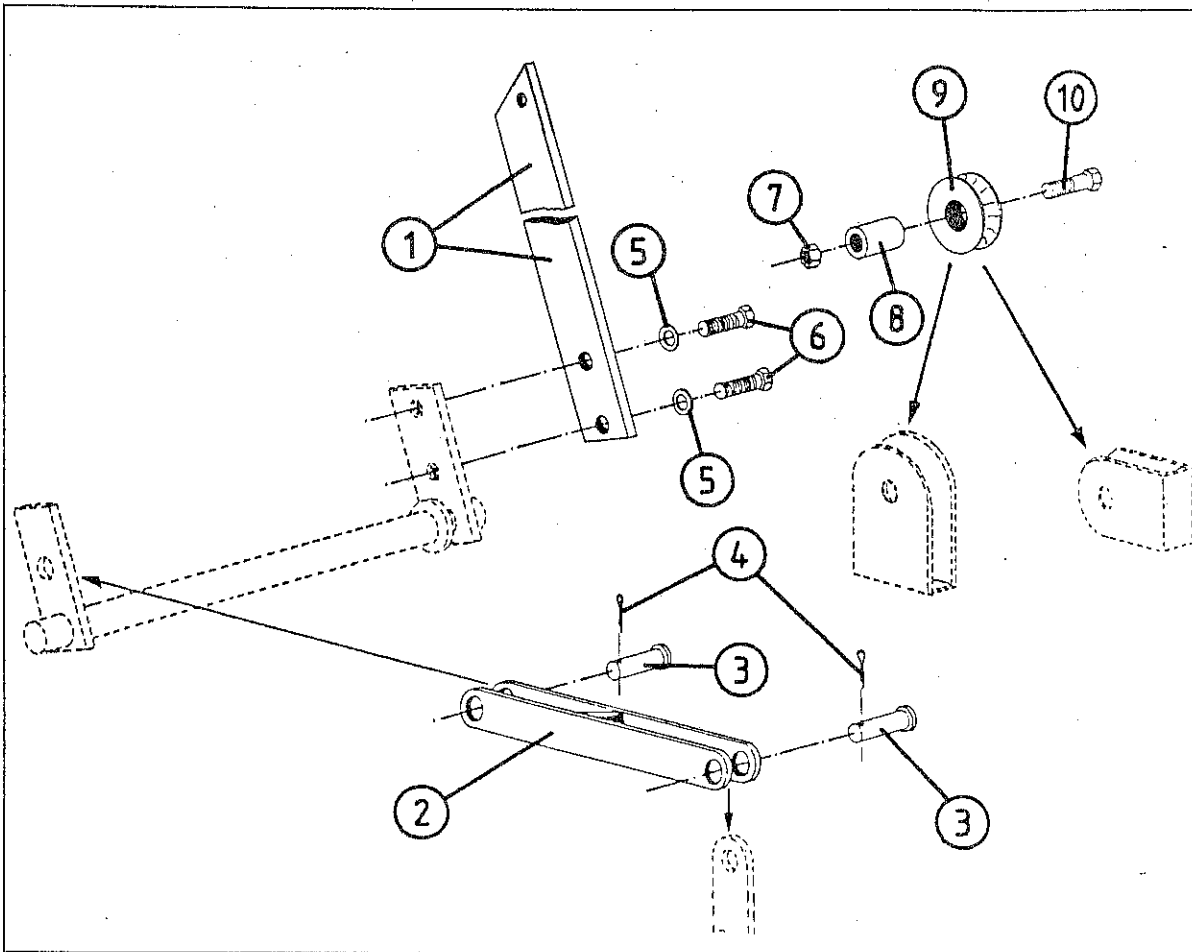
# NORSE 250



POS. ART.NO. NO. TERM-TYPE-DIMENSION (250 1-1)

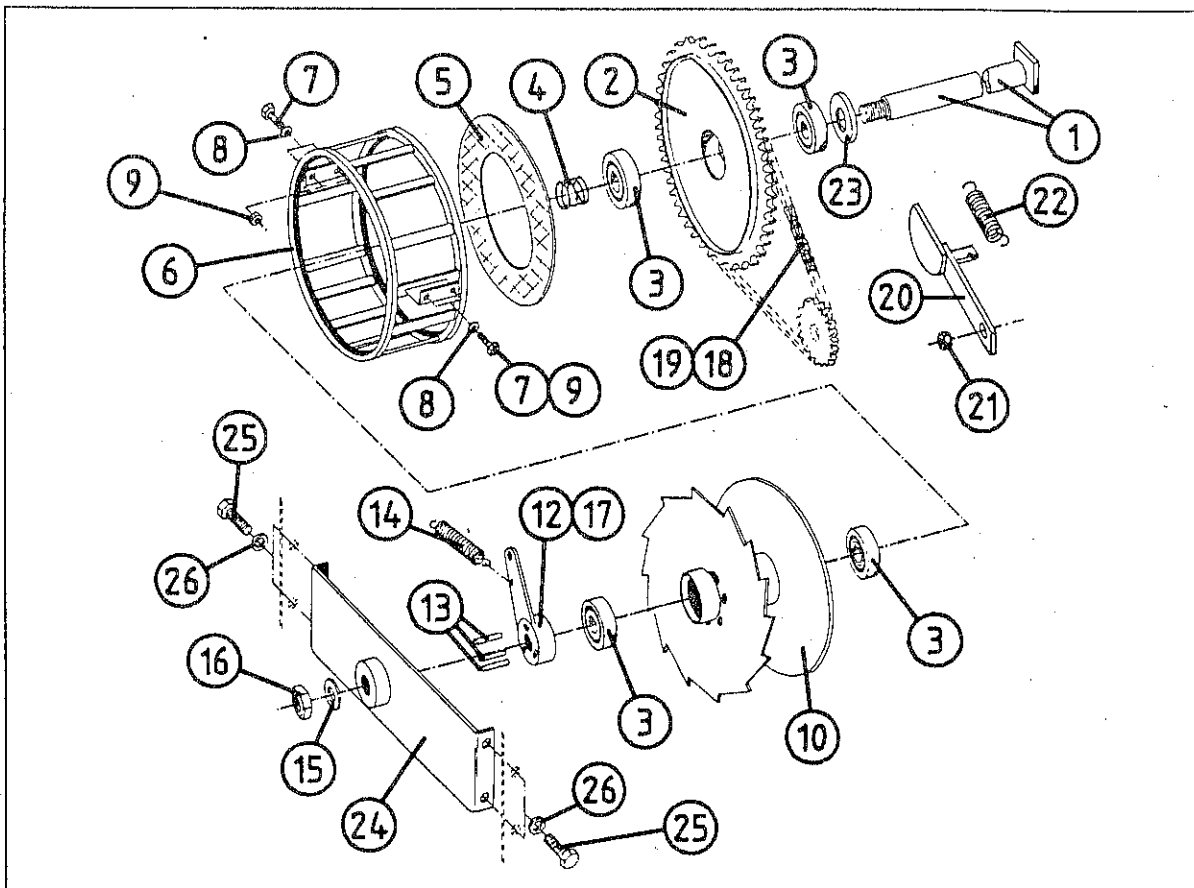
POS.	ART.NO.	NO.	TERM-TYPE-DIMENSION
1	34490001	1	Winch housing
2	34490102	1	Safety grill
3	34110015	3	Screw, M10 x 25
4	34302117	5	Washer, 11 x 20.5 x 2
5	34230900	1	Locking nut, M10
6	34119068	1	Wing screw, M10 x 20
7	34490068	1	Top cover
8	34490069	1	Grill
9	34110014	2	Screw, M10 x 20
10	34490066	1	Inside cover, left
11	34490063	1	Inside cover, right
12	34630097	1	Parking stay
13	34116900	6	Screw, M8 x 20
14	34200100	1	Linch pin, 8 mm
15	34232100	4	Locking nut, M16
16	34115600	4	Screw, M16 x 35
17	34490085	1	Butt plate
18	34230800	2	Nut, M10
19	34302117	10	Washer, 10.5 x 22 x 2
20	34230500	4	Locking nut, M8

# NORSE 250



POS.	ART.NO.	NO.	TERM-TYPE-DIMENSION	(250 4-1)
1	34910026	1	Operating lever	
2	34910027	1	Connection arm	
3	34101024	2	Bolt, 12 x 36	
4	34220150	2	Split pin, 3 x 20	
5	34312001	2	Locking washer, 10.5 x 18 x 0.9	
6	34119057	2	Screw, M10 x 16	
7	34230500	2	Locking nut, M8	
8	34371381	2	Casing	
9	34391380	2	Jockey, plastic	
10	34110001	2	Screw, M8 x 35	
--	34820003	1	Operating cord	

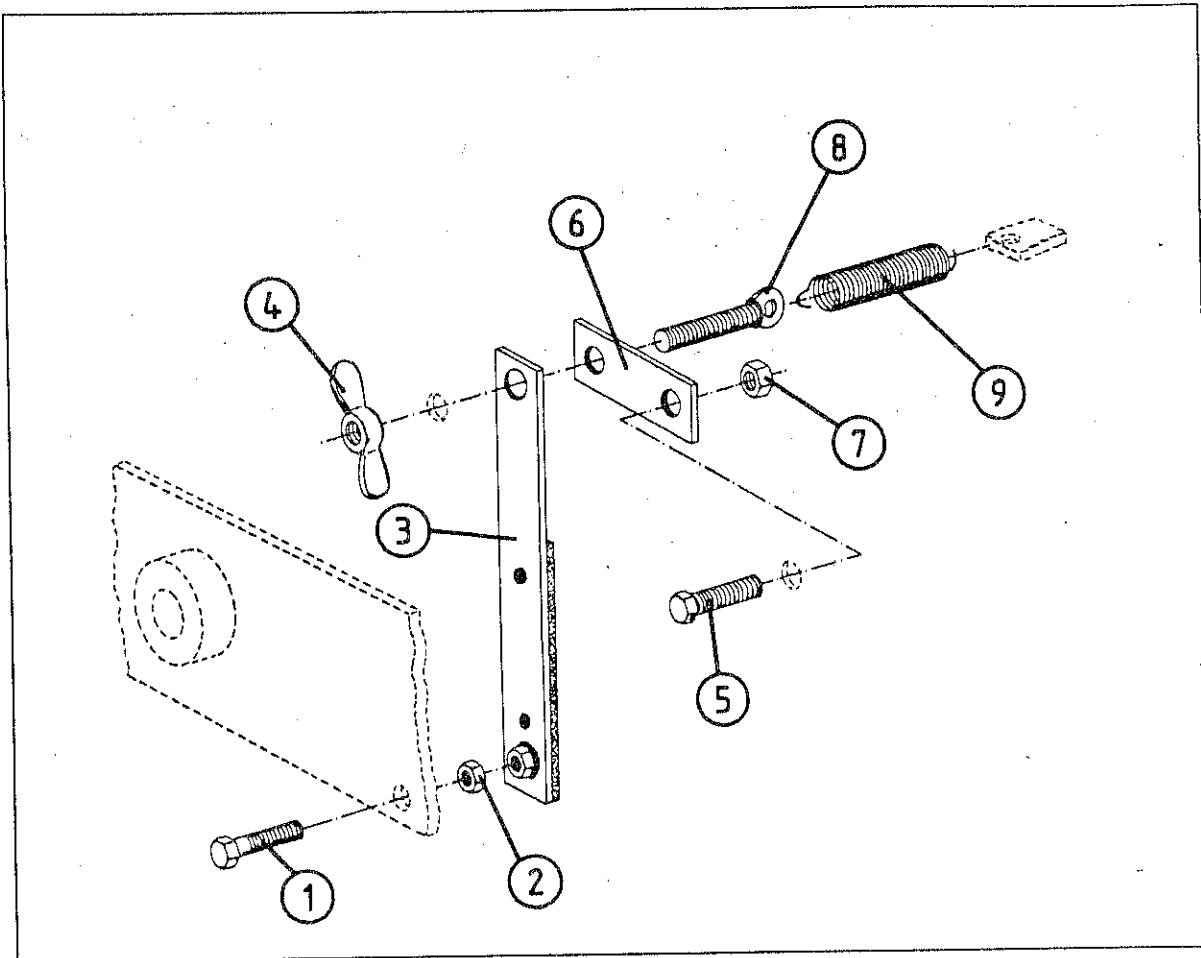
# NORSE 250



POS. ART.NO. NO. TERM-TYPE-DIMENSION (250 2-1)

1	34130043	1	Main shaft, $\phi$ 35 x 276
2	34810039	1	Chain wheel, 5/8"- 60
3	34320522	4	Ball bearing, 6307 2RS
4	34431533	1	Pressure spring, $\phi$ 5 x 36 x 31
5	34291221	1	Clutch lining, $\phi$ 250 x 155 x 3
6	34490611	1	Drum basket
7	34110015	4	Screw, M10 x 25
8	34302117	4	Washer, 11 x 20,5 x 2
9	34230900	4	Locking nut, M10
10	34490035	1	Wire rope drum
12	34910049	1	Clutch lever
13	34910052	3	Clutch pin, $\phi$ 12 x 40
14	34430312	1	Return spring, $\phi$ 2.5 x 25 x 85
15	34301537	1	Washer, $\phi$ 33 x 56 x 3,5
16	34239903	1	Locking nut, M30 x 2
17	34060801	1	Grease nipple, M6
18	34816402	1	Chain, single, 5/8"-124 links
19	34810304	1	Chain lock, single, 5/8"
20	34810053	1	Chain tensioner
21	34231300	1	Locking nut, M12
22	34430312	1	Return spring, $\phi$ 2.5 x 25 x 85
23	34300108	1	Distance washer, 35.5 x 57 x 2
24	34490011	1	Rear clutch half (main shaft support)
25	34119057	4	Screw, M10 x 15
26	34312001	4	Locking washer, 10.5 x 18 x 0.9

# NORSE 250



POS.	ART.NO.	NO.	TERM-TYPE-DIMENSION	(250 6-1)
1	34117200	1	Screw, M10 x 35	
2	34230900	1	Lockingnut, M10	
3	34290057	1	Drum brake w/lining	
4	34239900	1	Wing nut, M8	
5	34110000	1	Screw, M8 X 25	
6	34490617	1	Locking plate	
7	34230500	1	Locking nut, M8	
8	34119071	1	Eye screw, M8 x 60	
9	34430005	1	Return spring, $\phi 2 \times 15 \times 63$	