

NORSE

360

New!



**3-POINT HITCH FOREST
WINCH WITH
MANY PLUS-VALUES**

NORSE 360

New!

FOREST WINCH WITH MANY PLUS-VALUES

- ★ SOLID, SIMPLE AND EASY TO OPERATE.
- ★ 3-POINT HITCH MOUNTED.
- ★ IDEAL FOR AGRICULTURAL TRACTORS, 40 – 70 HP.
 - ★ NORSE 360 IS A TYPICAL ALL-ROUND WINCH FOR FARMERS AND WOODLAND OWNERS.
 - ★ DRIVEN FROM TRACTOR P.T.O.
 - ★ COMPACT, LIGHT CONSTRUCTION. MADE OF DOMEX SPECIAL HARDENED QUALITY STEEL.
 - ★ HINGED BUTT PLATE.
 - ★ OPTIONAL POSITIONING OF THE HAUL-IN BLOCK.
 - ★ GRILL GUARD ALSO USED AS A PARKING STAND.
 - ★ SEMI-AUTOMATIC RATCHET BRAKE, CORD OPERATED.
 - ★ CORD OPERATED CLUTCH WITH LIGHT PULL.
 - ★ NORSE 360 IS IDEAL FOR RADIO REMOTE CONTROL.
 - ★ THE WINCH HAS EXCELLENT PROTECTION AGAINST ALL WEATHER CONDITIONS.

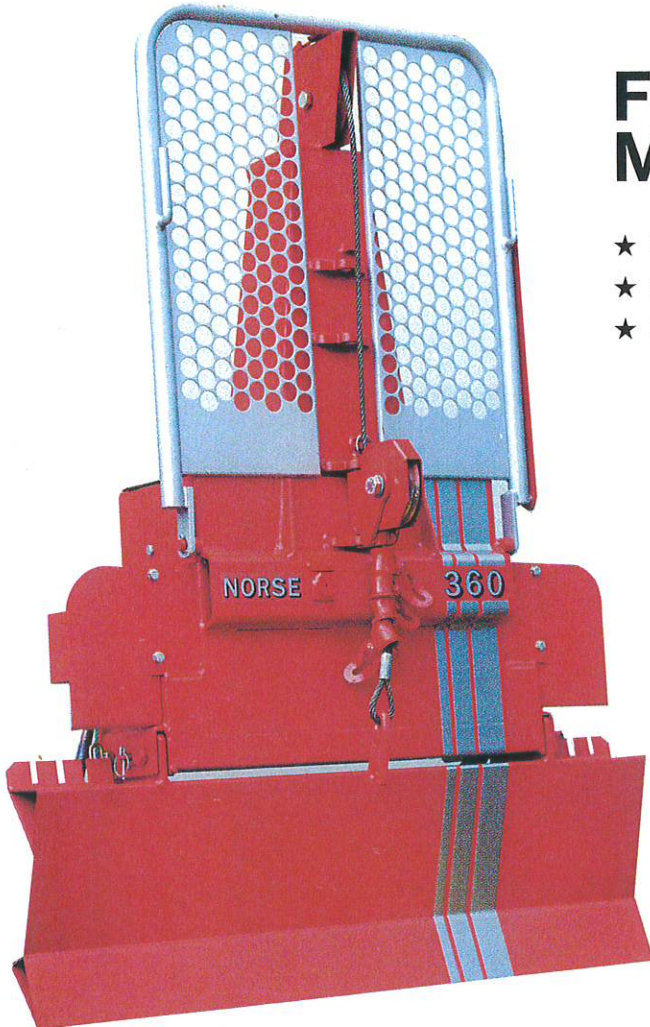
– ADDITIONAL EQUIPMENT:

- FORMEK RC 90 Radio Remote Control
- Fixed butt plate.

Recommended wire rope	165 ft-3/8" (50 m - 10 mm)
Recommended P.T.O. shaft . . .	W2200 – A3
Max. width	4,3 ft (1300 mm)
Max. height with butt plate and safety grill	5,8 ft (1770 mm)
Weight complete winch, ex. cable	480 lbs (220 kg)

(At a maximum permissible input shaft speed of 540 rpm.)

Technical specs are subject to change without notice.



TECHNICAL SPECIFICATIONS:

Pulling capacity, inner layer . . .	8000 lbs (3600 kp)
Pulling capacity, outer layer . . .	3950 lbs (1790 kp)
Required tractor output	40–70 hp
Max. torque input to winch	55 kpm
3-point hitch mounting	Cat. 1 or 2
Average cable speed	4,4 ft/sec (1,33 m/sec)
Min. cable speed	2,9 ft/sec (0,84 m/sec)
Max. cable speed	6,0 ft/sec (1,81 m/sec)
Cable capacity – 5/16" (8 mm)	330 ft (100 m)
– 11/32" (9 mm)	240 ft (75 m)
– 3/8" (10 mm)	200 ft (60 m)

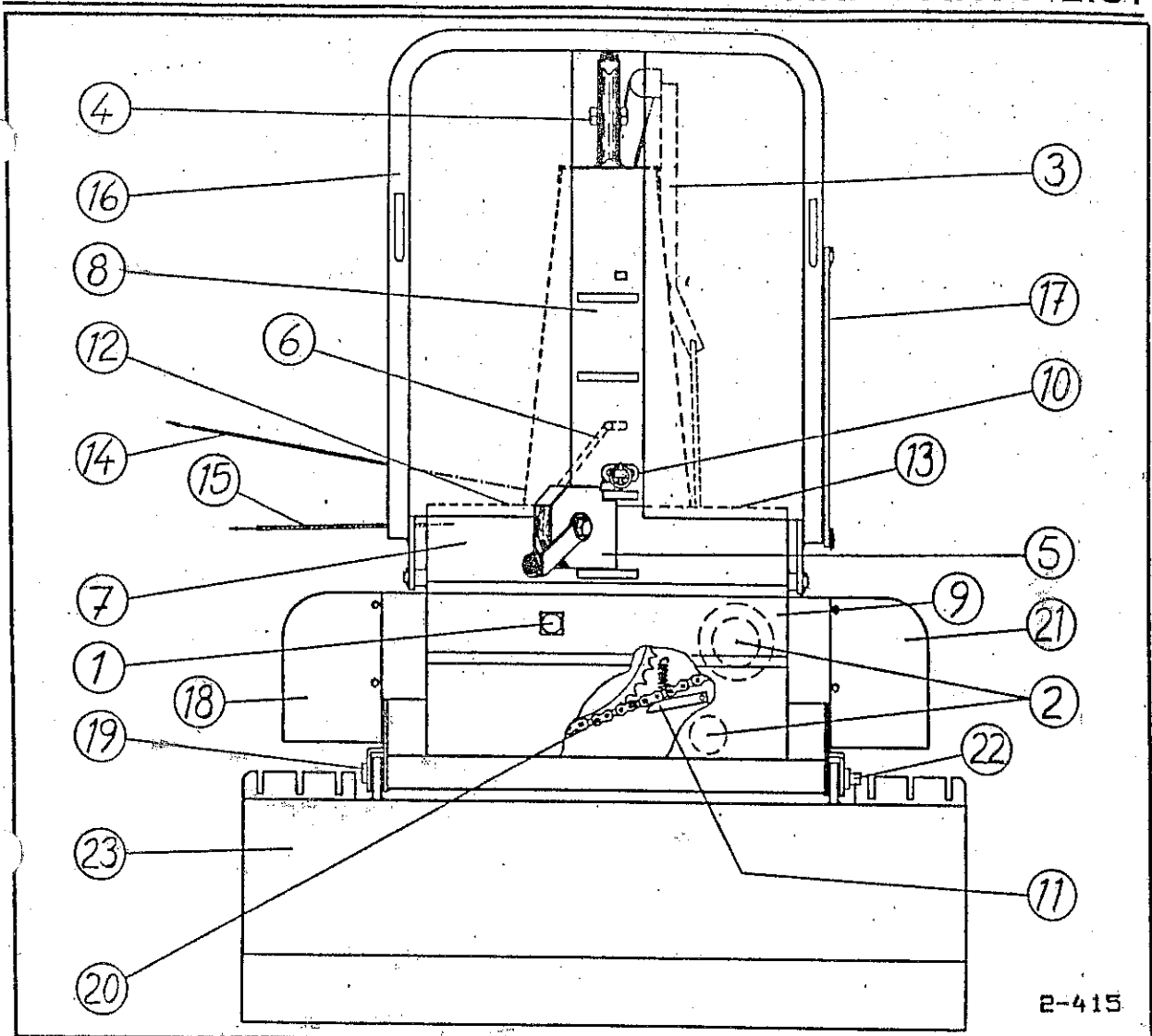
MANUFACTURER:

T TELLEFSDAL A.S
 N-4992 FIANE, NORWAY FAX: + 47 41 58 540

GENERAL IMPORTER:

DEALER:

SPARE PARTS LIST

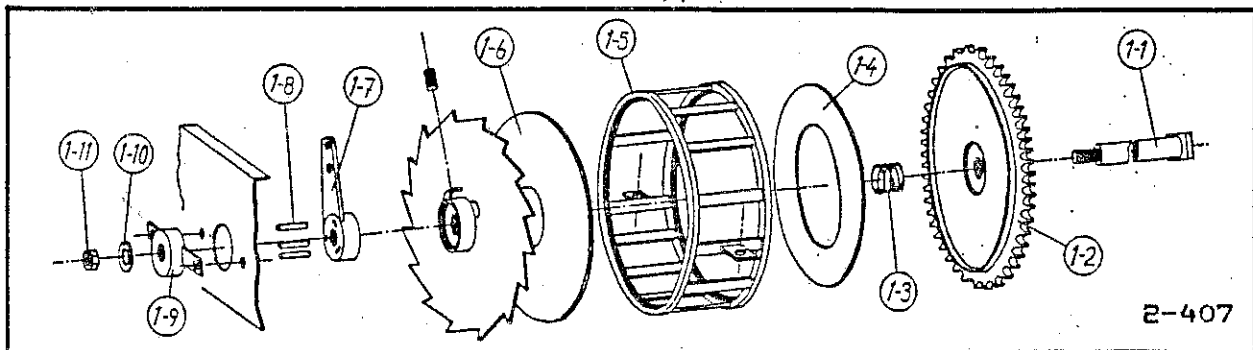


2-415

Pos.	Article No:	Pcs.	Description
1	-	1	Chain dirve
2	300192	1	Drive shaft with housing
3	-	1	Control set
4	-	1	Top block
5	300132	1	Haul-in blocch cpl.
6	300221	1	Drum brake cpl.
7	300212	1	Half aut. latch bar cpl.
8	300112	1	Tower
8-1	251279	1	Top stay bolt, Ø25
8-2	251517	1	Linch pin 7/16"
8-3	110011	2	Screw, M 16 x 25
8-4	110001	2	Screw, M 16 x 35
8-5	132003	4	Washer
8-6	251006	2	Washer in front of tower
9	300143	1	Winch housing
9-1	251053	2	Liftingarm bolt, Ø22/Ø28
9-2	251517	2	Linch pin, 7/16"
10	300140	1	Bolt for haul in block
10-1	251511	1	Linch pin, 1/4"
11	300189	1	Chain tensioner
11-1	122003	1	Locking nut, M 12
11-2	251001	1	Return spring

SPARE PARTS LIST

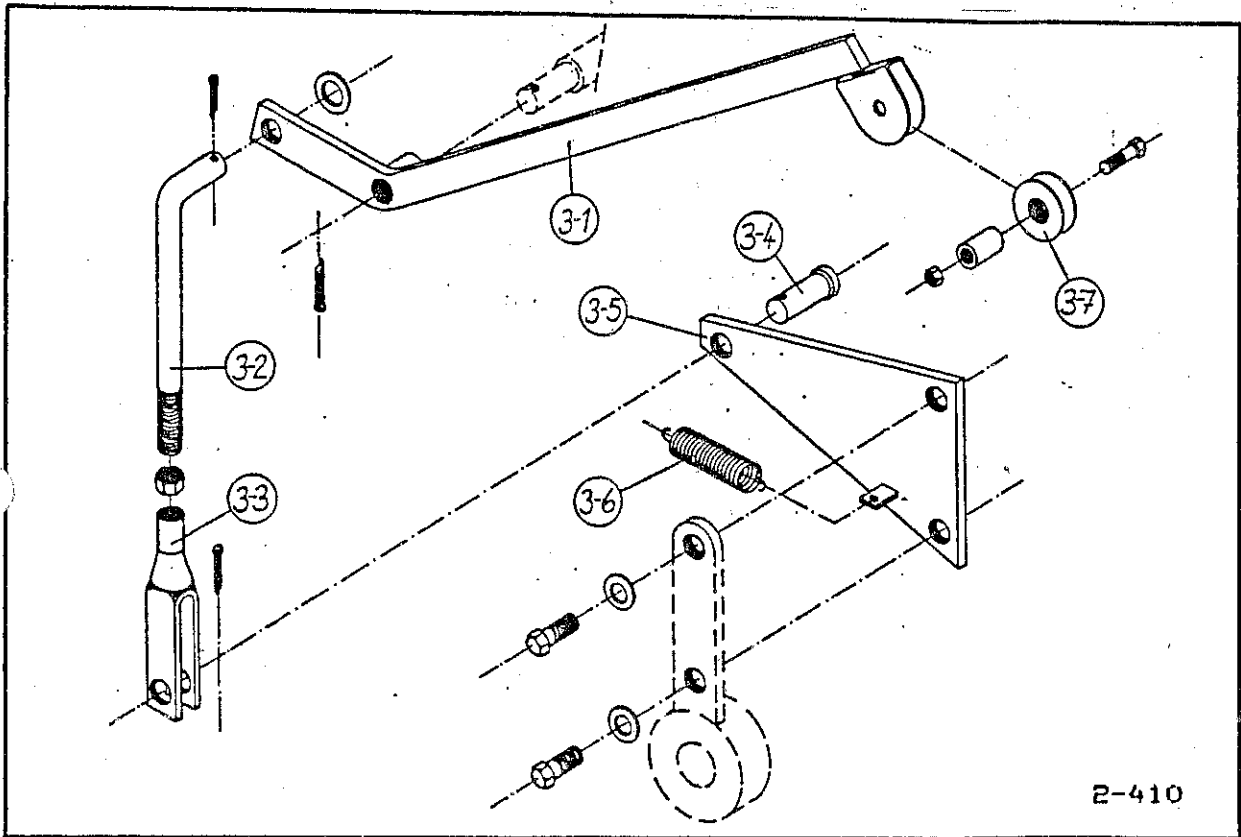
Pos.	Article No:	Pcs.	Description
12	300242	1	Main cover, left
12-1	300241	1	Bolts
12-2	143001	2	Split pin, Ø3,2
13	300238	1	Main cover, right
13-1	300241	1	Bolts
13-2	143001	2	Split pin, Ø3,2
14	100006	1	Control cord, pull
15	100007	1	Control cord, brake
16	300244	1	Safety grill
16-1	143002	2	Split pin, Ø5,2
17	300249	1	Parking stay
17-1	143002	1	Split pin, Ø5,2
17-2	251511	1	Linch pin 1/4"
18	300236	1	Side box, left
18-1	110004	2	Screw, M 10 x 25
18-2	130001	2	Washer
18-3	120001	2	Nut M 10
19	300257	1	Bolts for butt plate, left
19-1	251511	1	Linch pin 1/4"
20	156601	1	Roll chain, 3/4"V, 71 links
20-1	251526	1	Chain lock, 3/4" V
21	300232	1	Side box, right
21-1	110004	2	Screw, M10 x 25
21-2	130001	2	Washer
21-3	120001	2	Nut, M10
22	300259	1	Bolts for butt plate, Right
22-1	251511	1	Linch pin 1/4"
22 A	300250	1	Butt plate
23-1	251343	2	Locking bolts for Butt plate
23-2	251517	2	Linch pin 7/16"
23 B	300556	1	Butt plate "Showel type"
23B1	300557	2	Parking leg
23B2	300511	2	Bolts for parking leg
23B3	251516	2	Linch pin 5/16"



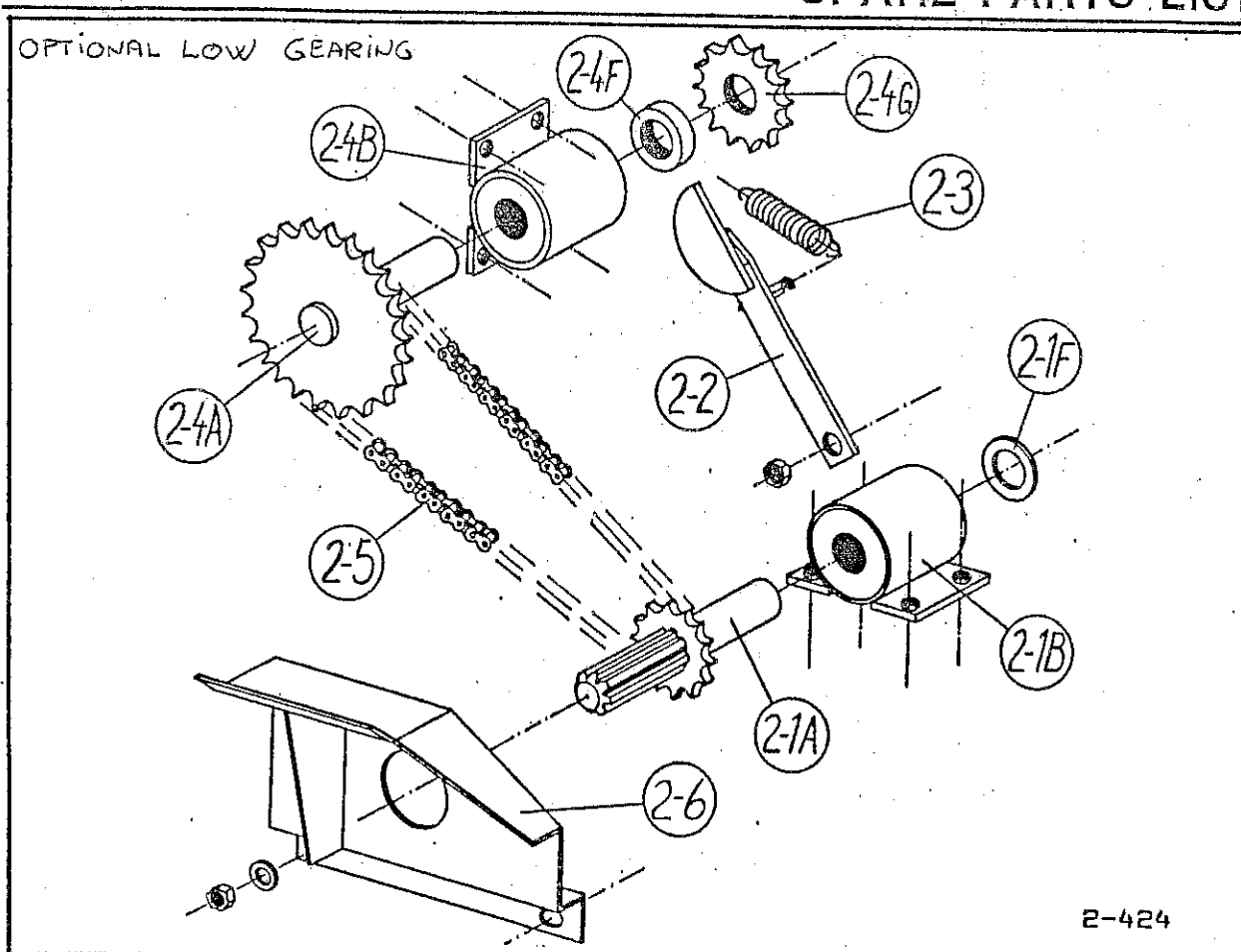
Pos.	Article No:	Pcs.	Description
1	-	1	Drive
1-1	300187	1	Main shaft, Ø35
1-2	300183	1	Chain wheel
1-2A	251514	2	Ball bearing 6307 2RS
1-3	251533	1	Pressure spring
1-4	251518	1	Clutch lining
1-5	300179	1	Brum basket
1-5A	110004	2	Screws, M 10 x 25
1-5B	130001	2	Washers
1-5C	120001	2	Nut, M 10

SPARE PARTS LIST

Pos.	Article No:	Pcs.	Description
1-6	300174	1	Wire rope drum
1-6A	251514	3	Bearing, 6307 2RS
1-6B	113001	1	Screw, M 12 x 16
1-7	300202	1	Clutch lever
1-8	251018	3	Clutch pins
1-9	300199	1	Clutch housing
1-9A	110004	2	Screw, M 10 x 25
1-9B	130001	2	Washer
1-9C	120001	2	Nut, M 10
1-10	251537	1	Washer, Ø33 x Ø56 x 3.5
1-11	251538	1	Locking nut, M 30 x 2

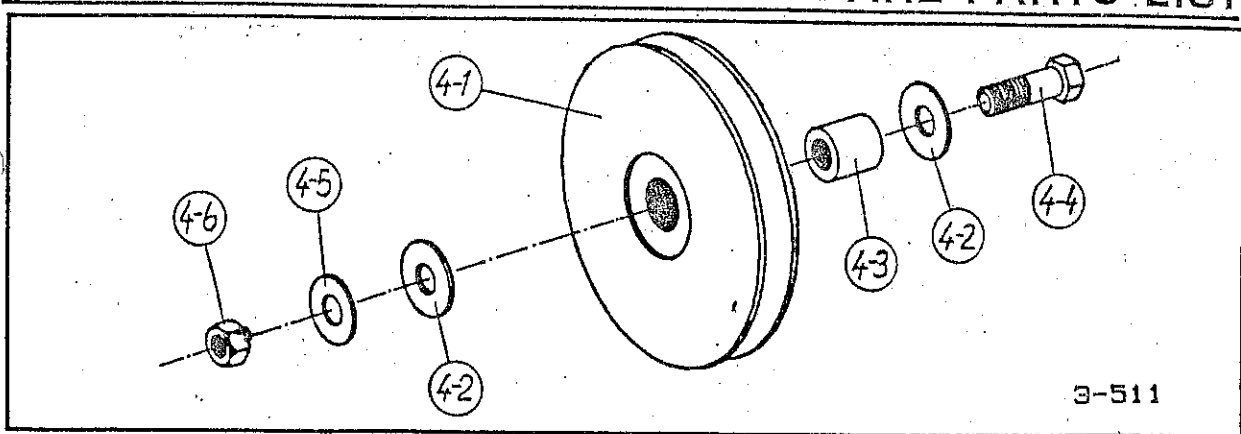


Pos.	Article No:	Pcs.	Description
3	-	1	CONTROL SET
3-1	300209	1	Control lever
3-1A	143002	1	Split pin, Ø5,2
3-2	300208	1	Adjusting bar
3-2A	143001	1	Split pin, Ø3,2
3-2B	120005	1	Nut, M 12
3-3	300184	1	Adjusting fork
3-4	251024	1	Bolt
3-4A	143001	1	Split pin, Ø3,2
3-5	300205	1	Connection plate
3-5A	110017	2	Screw, M 12 x 25
3-5B	132005	2	Washer
3-6	251001	1	Return spring
3-7	251380	2	Jockey
3-7A	251381	2	Casing
3-7B	110002	2	Screw, M 8 x 35
3-7C	122002	2	Locking nut, M 8

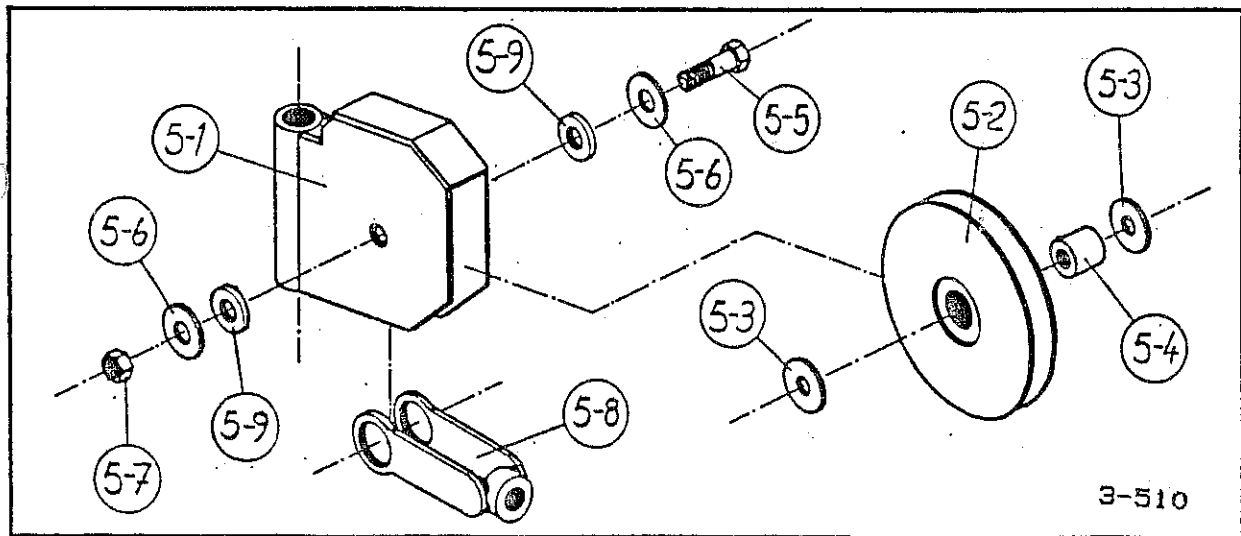


Pos.	Article No:	Pcs.	Description
2	-	1	GEAR W/COVER
2-1	300542	1	Driveshaft c/w housing
2-1A	300543	1	Driveshaft w/sprocket
2-1B	300196	1	Housing w/bearing
2-1C	251501	2	Bearing, 6306 2RS
2-1D	110013	4	Screw, M 12 x 20
2-1E	132005	4	Washer
2-1F	251052	1	Washer, (Welded)
2-2	300550	1	Chain tensioner
2-2A	122003	1	Locking nut, M 12
2-3	251001	1	Return spring
2-4	300545	1	Intermediate shaft c/w housing
2-4A	300546	1	Intermediate shaft w/sprocket
2-4B	300196	1	Housing w/bearing
2-4C	251501	2	Bearing, 6306 2RS
2-4D	110013	4	Screw, M 12 x 20
2-4E	132005	4	Washer
2-4F	300194	1	Casing
2-4G	300195	1	Sprocket, (Welded)
2-5	156604	1	Rollchain 3/4"V, 39 links
2-5A	251526	1	Chain lock, 3/4"V
2-6	300552	1	Lower cover
2-6A	122004	2	Locking nut, M 10
2-6B	130001	2	Washer

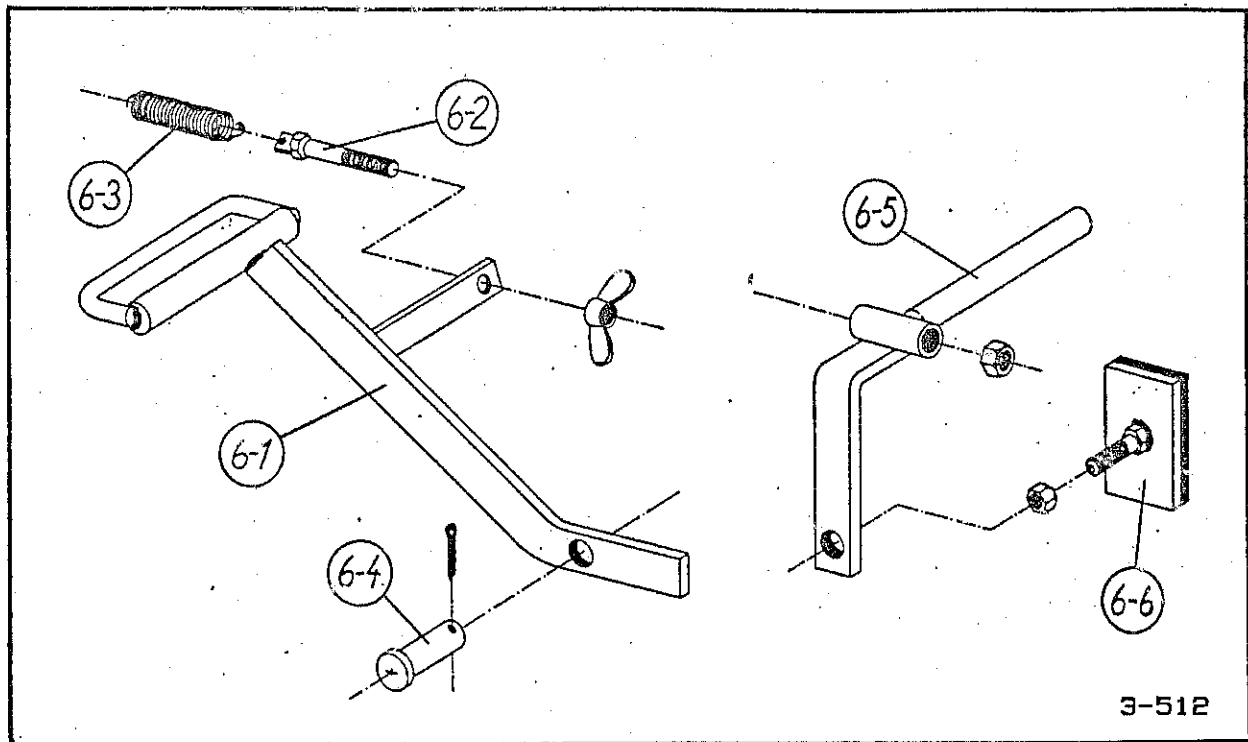
SPARE PARTS LIST



Pos.	Article No:	Pcs.	Description
4	-	1	UPPER ROLLER
4-1	106002	1	Shive, Ø185
4-1A	251514	1	Bearing, 6307 2RS
4-2	251091	2	Distance ring
4-3	251090	1	Casing
4-4	110010	1	Screw, M 20 x 60
4-5	132004	1	Washer
4-6	120004	1	Nut, M 20

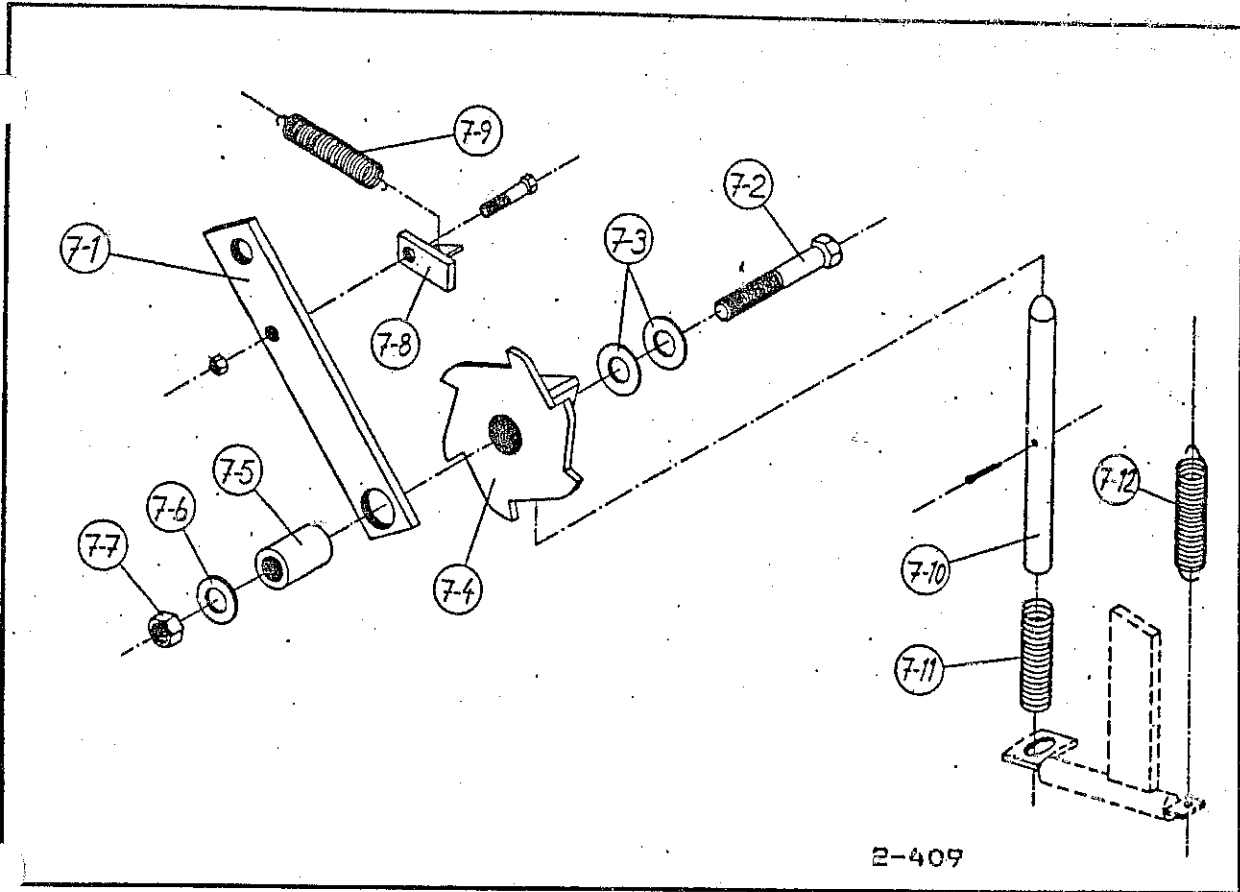


Pos.	Article No:	Pcs.	Description
5	300132	1	HAUL-IN BLOCK CPL.
5-1	300261	1	Housing
5-2	106003	1	Shive, Ø145
5-2A	251514	1	Bearing, 6307 2RS
5-3	251091	2	Distance ring
5-4	251090	1	Casing
5-5	110012	1	Screw, M 20 x 80
5-6	130002	2	Washer
5-7	122005	1	Locking nut, M 20
5-8	300137	1	Rope guide
5-9	300136	2	Distance ring

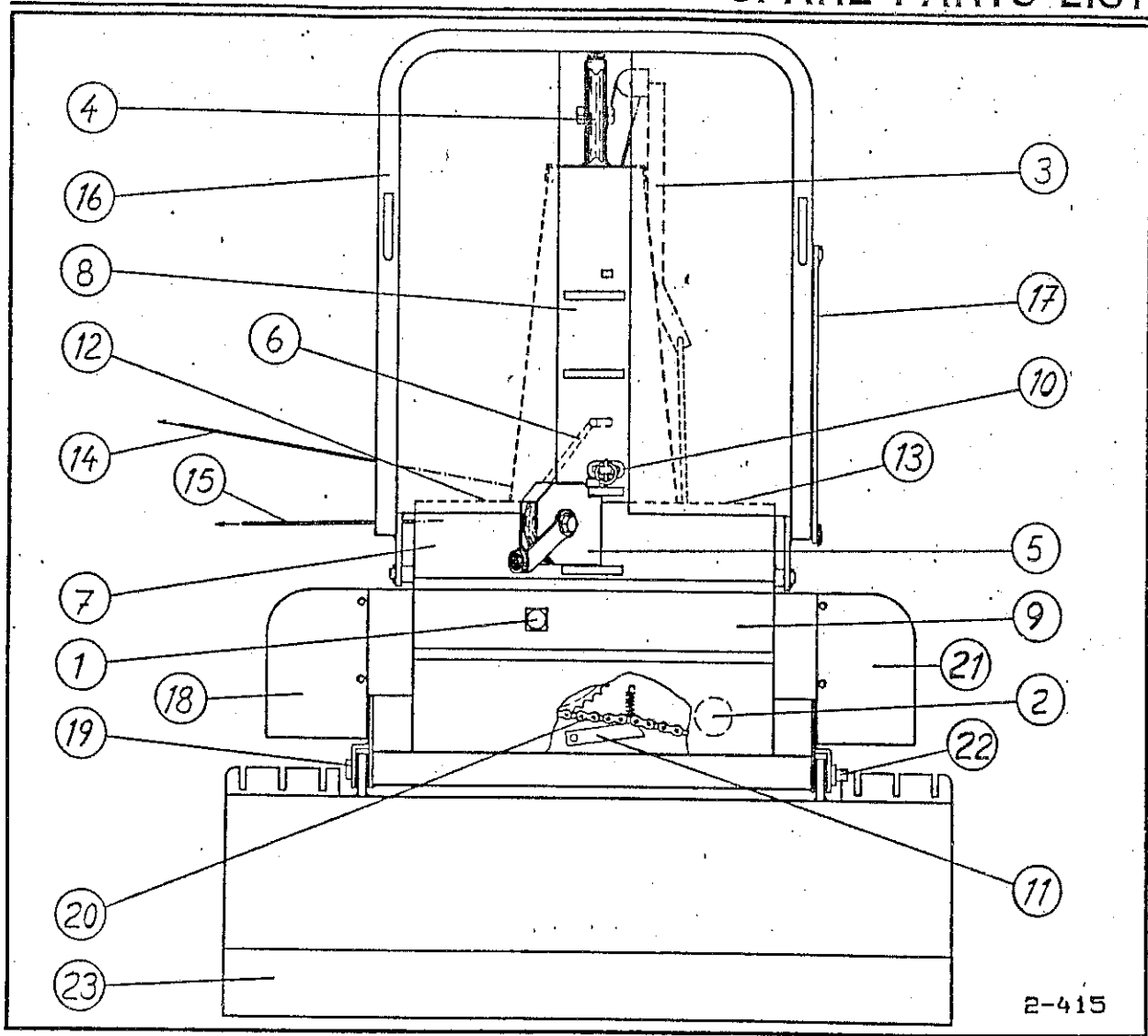


3-512

Pos.	Article No:	Pcs.	Description
6	300221	1	DRUM BRAKE CPL.
6-1	300222	1	Brake arm
6-2	300059	1	Adjustment screw
6-2A	123001	1	Wing nut, M 10
6-3	150003	1	Returnspring
6-4	110016	1	Screw, M 12 x 35
6-4A	122003	1	Locking nut
6-5	300227	1	Connection arm
6-5A	122003	1	Locking nut, M 12
6-6	300230	1	Brake pad
6-6A	122004	1	Locking nut, M 10



Pos.	Article No:	Pcs.	Description
7	300212	1	HALF AUT. LATCH BAR CPL.
7-1	300213	1	Lever
7-2	110015	1	Screw, M 12 x 60
7-3	152001	2	Plate spring
7-4	300218	1	Notch segment
7-5	300214	1	Distance casing
7-6	130003	2	Washer
7-7	122003	1	Locking nut, M 12
7-8	300216	1	Guiding latch
7-8A	110014	1	Screw, M 6 x 25
7-8B	122005	1	Locking nut, M 6
7-9	150001	1	Return spring
7-10	300215	1	Connection bar
7-10A	143001	1	Split pin, Ø3,2
7-10B	130003	2	Washer
7-11	151001	1	Pressure spring
7-12	150002	1	Return spring



2-415

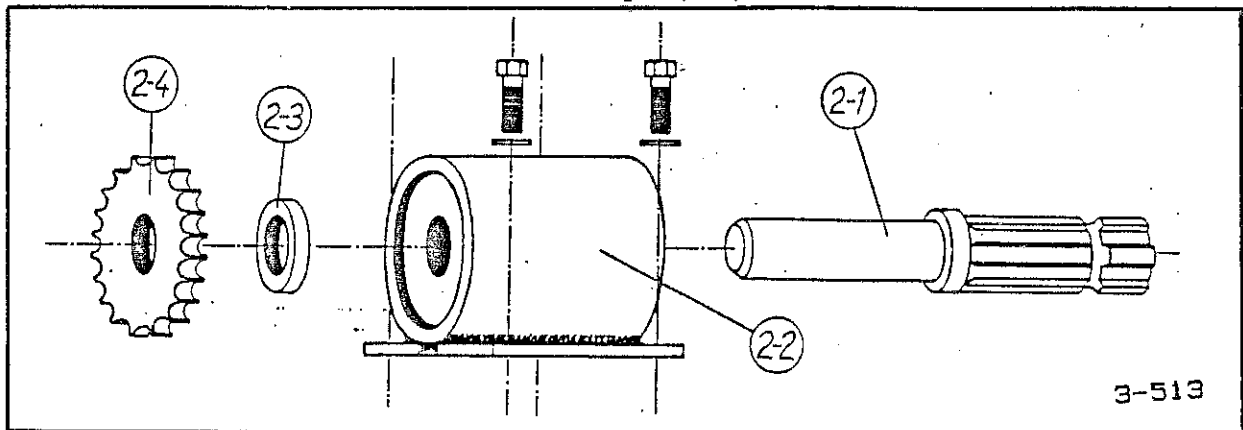
Pos.	Article No:	Pcs.	Description
1	-	1	Chain Drive
2	-	1	Low gear w/cover
3	-	1	Control set
4	-	1	Upper Roller (shive)
5	300132	1	Haul-in block
6	300221	1	Free-run brake
7	300212	1	Halfaut. brake
8	300112	1	Tower
8-1	251279	1	Top-link bolt, Ø25
8-2	251517	1	Linch pin 7/16"
8-3	110011	2	Screws, M16 x 25
8-4	110001	2	Screws, M16 x 35
8-5	132003	4	Washer
8-6	251006	2	Washer (front of tower)
9	300143	1	Housing
9-1	251053	2	Lifting arms, Ø22/Ø28
9-2	251517	2	Bolts for linch pin, 7/16"
10	300140	1	Bolt for Haul-in block
10-1	251511	1	Linch pin 1/4"
11	300549	1	Chain tensioner
11-1	122003	1	Locking nut, M12
11-2	251001	1	Return spring

NORSE **360**

STD. GEARING

SPARE PARTS LIST

Pos.	Article No:	Pcs.	Description
12	300242	1	Main cover, left
12-1	300241	1	Bolts for above
12-2	143001	2	Split pin, Ø3,2
13	300238	1	Main cover, right
13-1	300241	1	Bolts for above
13-2	143001	2	Split pin, Ø3,2
14	100006	1	Control cord, pull
15	100007	1	Control cord, brake
16	300244	1	Protection grill
16-1	143002	2	Pin, Ø5,2
17	300249	1	Parking support
17-1	143002	1	Pin, Ø5,2
17-2	251511	1	Linch pin, 1/4"
18	300236	1	Side box, left
18-1	110004	2	Screw, M 10 x 25
18-2	130001	2	Washer
18-3	120001	2	Nut, M 10
19	300257	1	Bolts for butt plate, left
19-1	251511	1	Linch pin, 1/4"
20	156601	1	Roll chain 3/4"V, 71 links
20-1	251526	1	Chain lock, 3/4"V
21	300232	1	Side box, right
21-1	110004	2	Screw, M 10 x 25
21-2	130001	2	Washer
21-3	120001	2	Nut, M 10
22	300259	1	Bolts for butt plate, right
22-1	251511	1	Linch pin, 1/4"
23	300250	1	Butt plate, straight
23-B	300556	1	Butt plate "Shovel type"
23-1	251343	2	Locking bolts for above
23-2	251517	2	Linch pin, 7/16"



3-513

Pos.	Article No:	Pcs.	Description
2	300192	1	DRIVE SHAFT WITH HOUSING
2-1	300193	1	Drive shaft
2-2	300196	1	Housing
2-2A	251501	2	Bearing, 6306 2RS
2-2B	110013	4	Screw, M 12 x 20
2-2C	132005	4	Washer
2-3	300194	1	Casing
2-4	300195	1	Sprocket, (Welded)

WARRANTY TERMS

Tellefsdal a.s warrants NORSE winches for 12 full months from the date of Purchase.

During the warrantee term: Tellefsdal will repair, replace or test any parts that are proved to be defective in material or workmanship.

Freight costs and all personal travel costs are the responsibility of the buyer.

All claims must be represented by a letter describing the problem and a copy of the warrantee card.

The NORSE Warrantee will be null void if:

- 1) The warrantee card has not been filled out.
- 2) The operators manual and safety instructions have not been followed.
- 3) The winch has been misused or abused or carelessly operated.
- 4) The winch is modified or serviced by persons, who are unauthorized by Tellefsdal a.s.

Tellefsdal a.s is not responsible for lost working time or lost revenue that has resulted because of a defect in the winch.

Warrantee Card - NORSE WINCH:

Serial number: _____

Model: _____ Production Year: _____

Purchase date: _____

Dealer: _____

City + adress: _____

Signature: _____

Customers Name: _____

City + adress: _____

Signature: _____