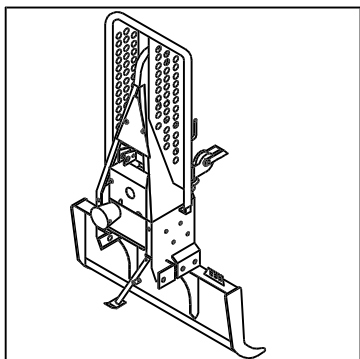


NORSE 450

BODY



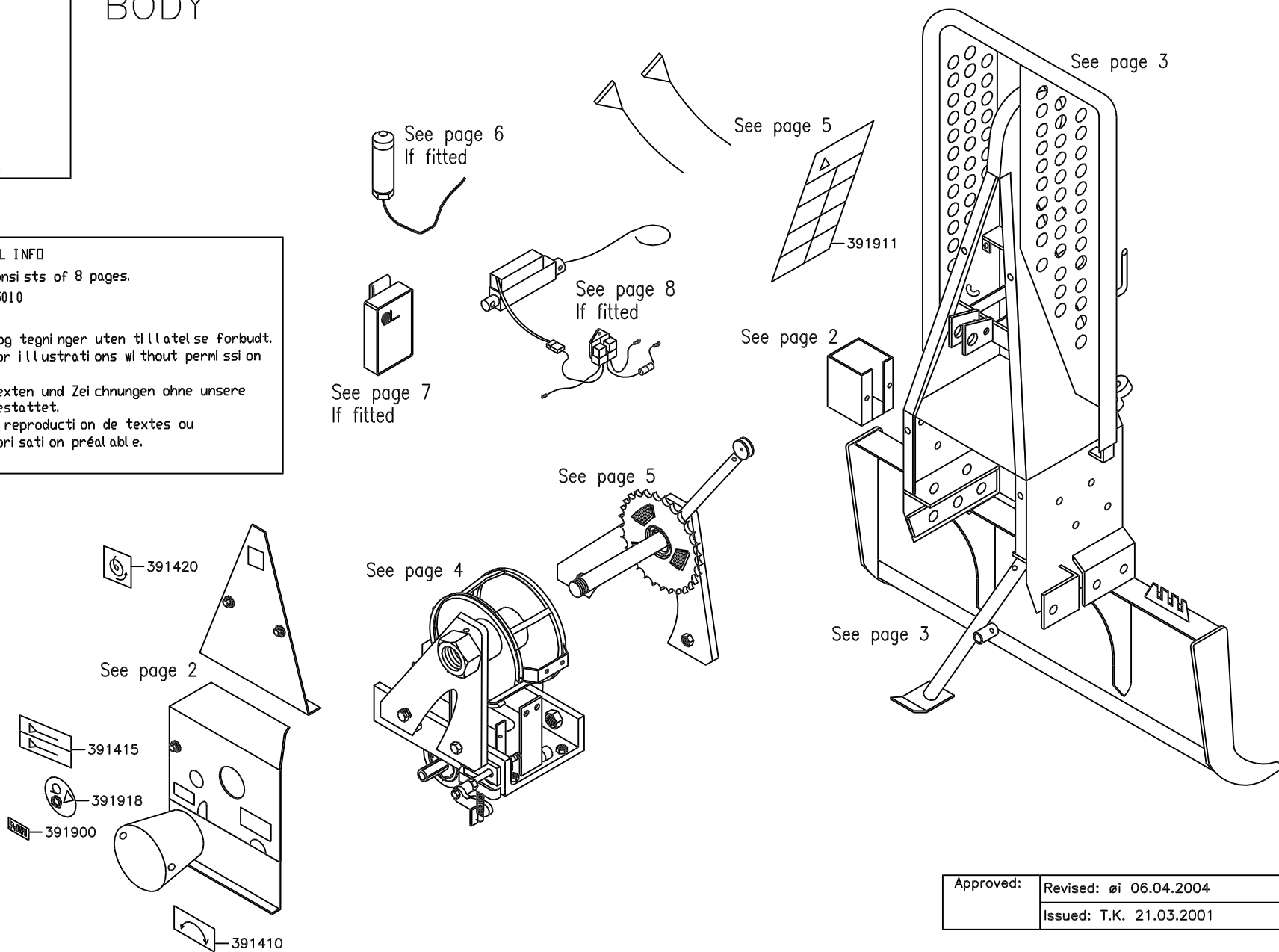
GENERAL INFO

This Parts Catalogue consists of 8 pages.

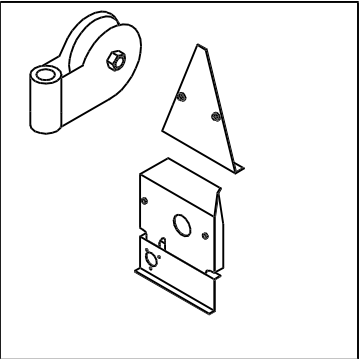
This Catalogue: P/N 395010

© IGLAND AS

- Gjengivelse av tekst og tegnninger uten tillatelse forbudt.
- Reproduction of text or illustrations without permission is prohibited.
- Eine Wiedergabe von Texten und Zeichnungen ohne unsere Genehmigung ist nicht gestattet.
- Interdiction de toute reproduction de textes ou d'illustrations sans autorisation préalable.

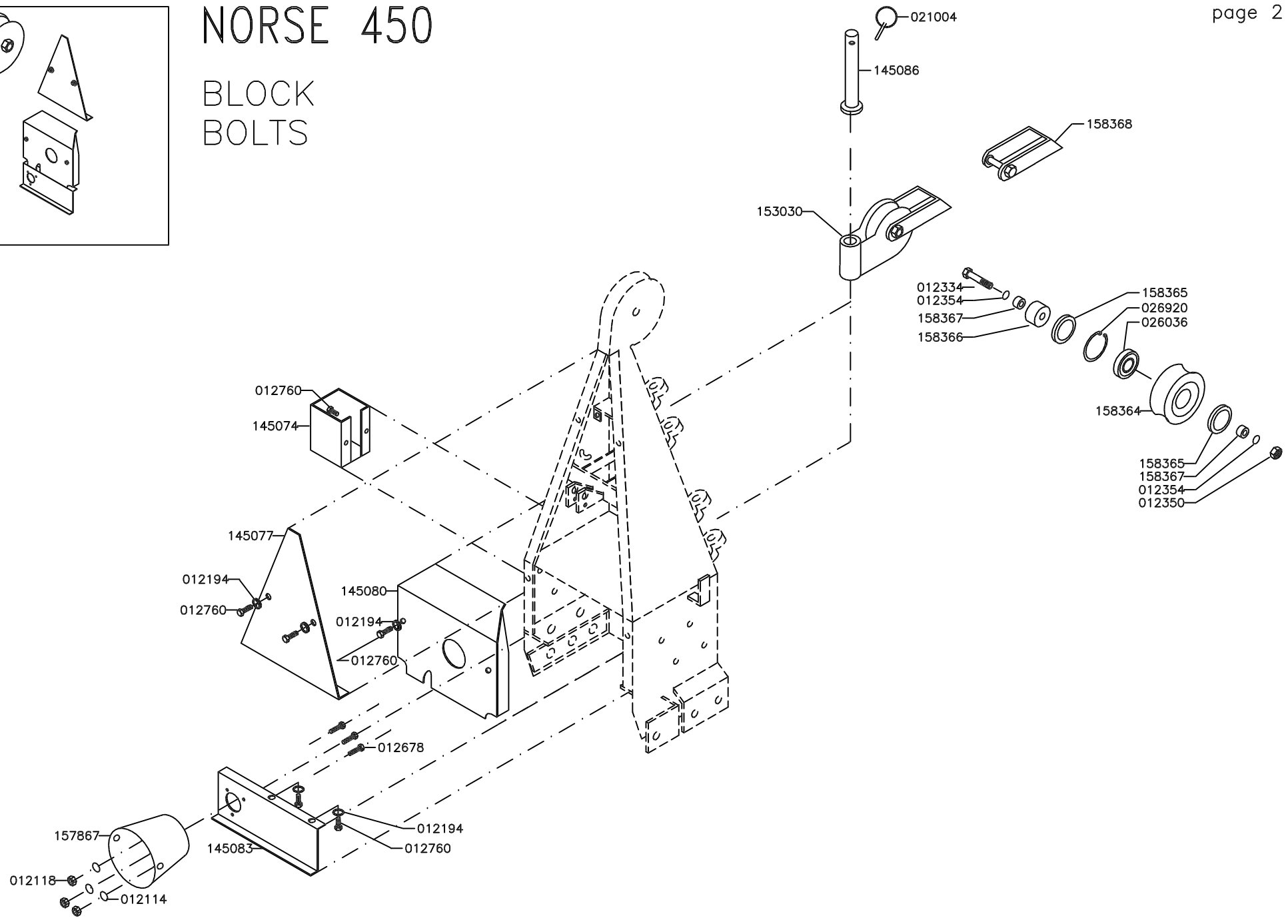


Approved:	Revised: øi 06.04.2004
	Issued: T.K. 21.03.2001



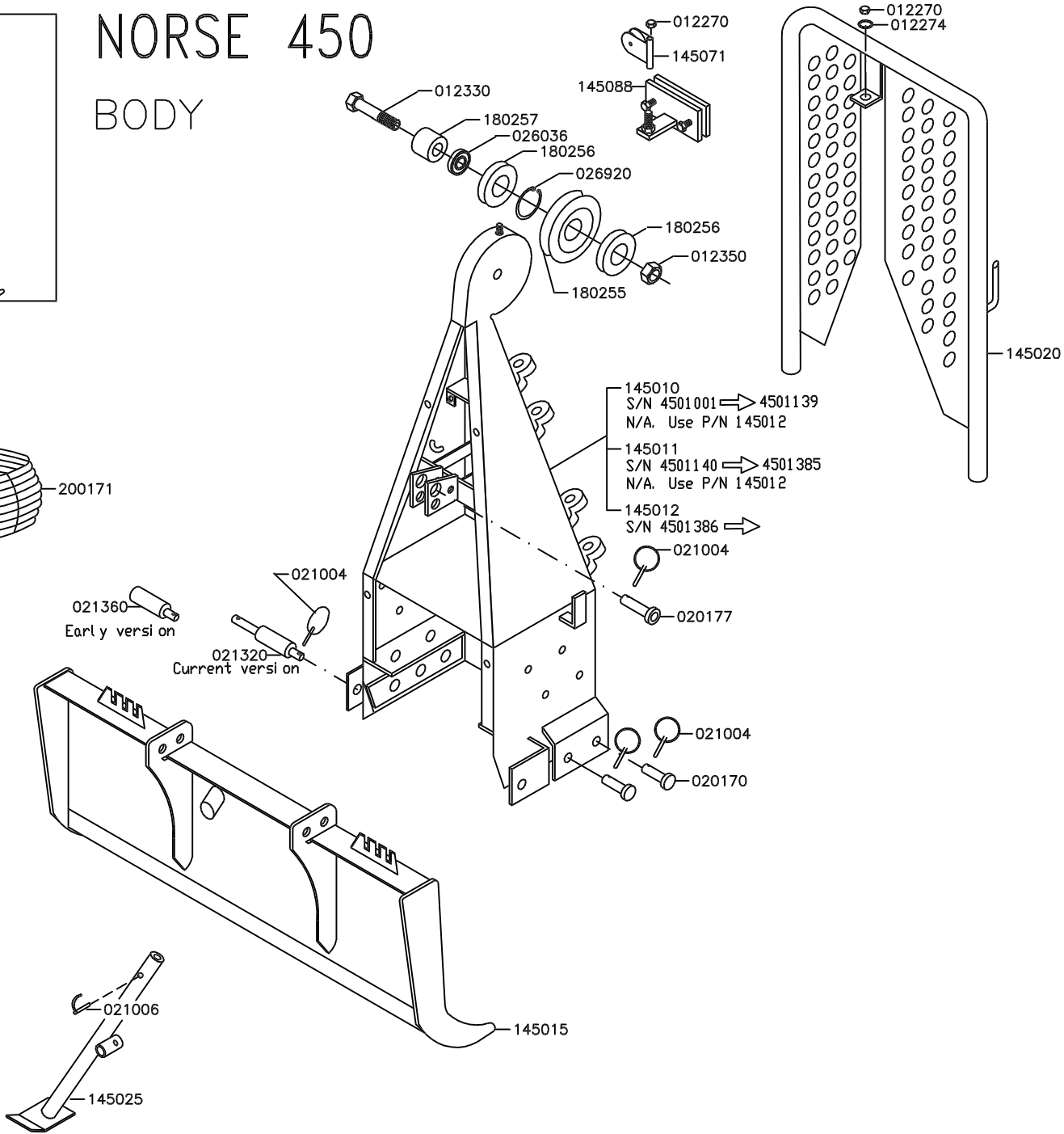
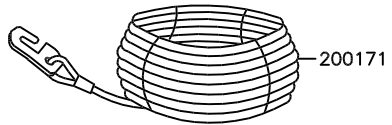
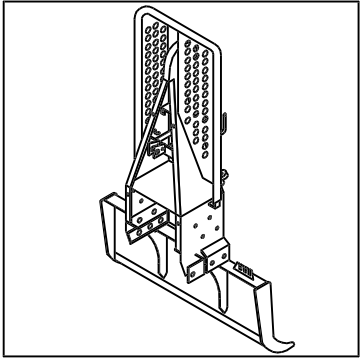
NORSE 450

BLOCK BOLTS



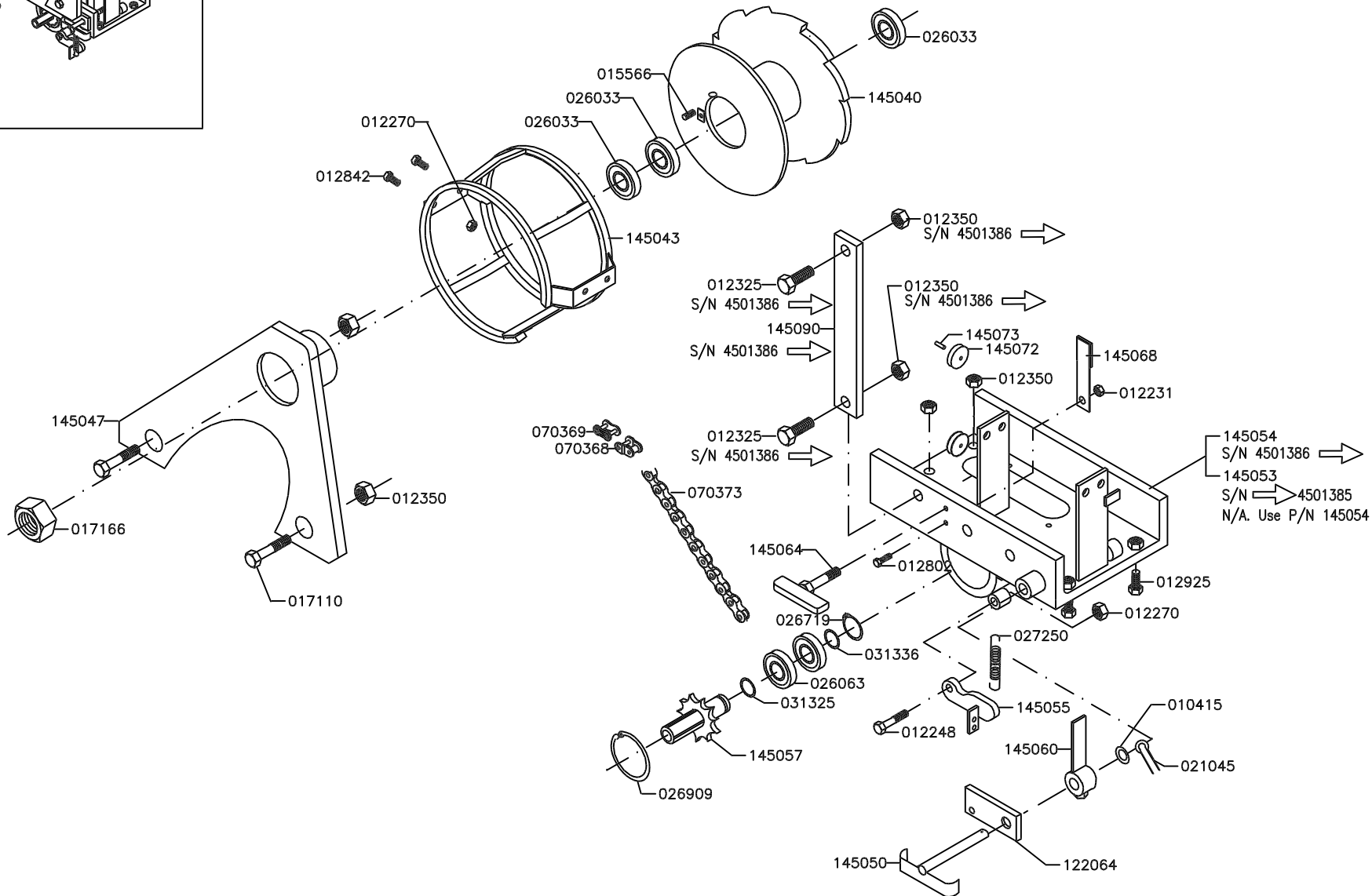
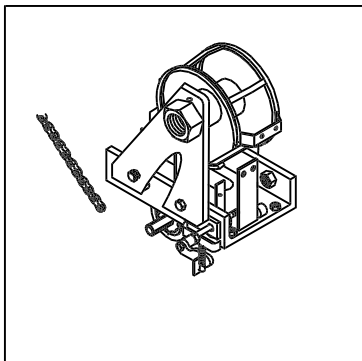
NORSE 450

BODY



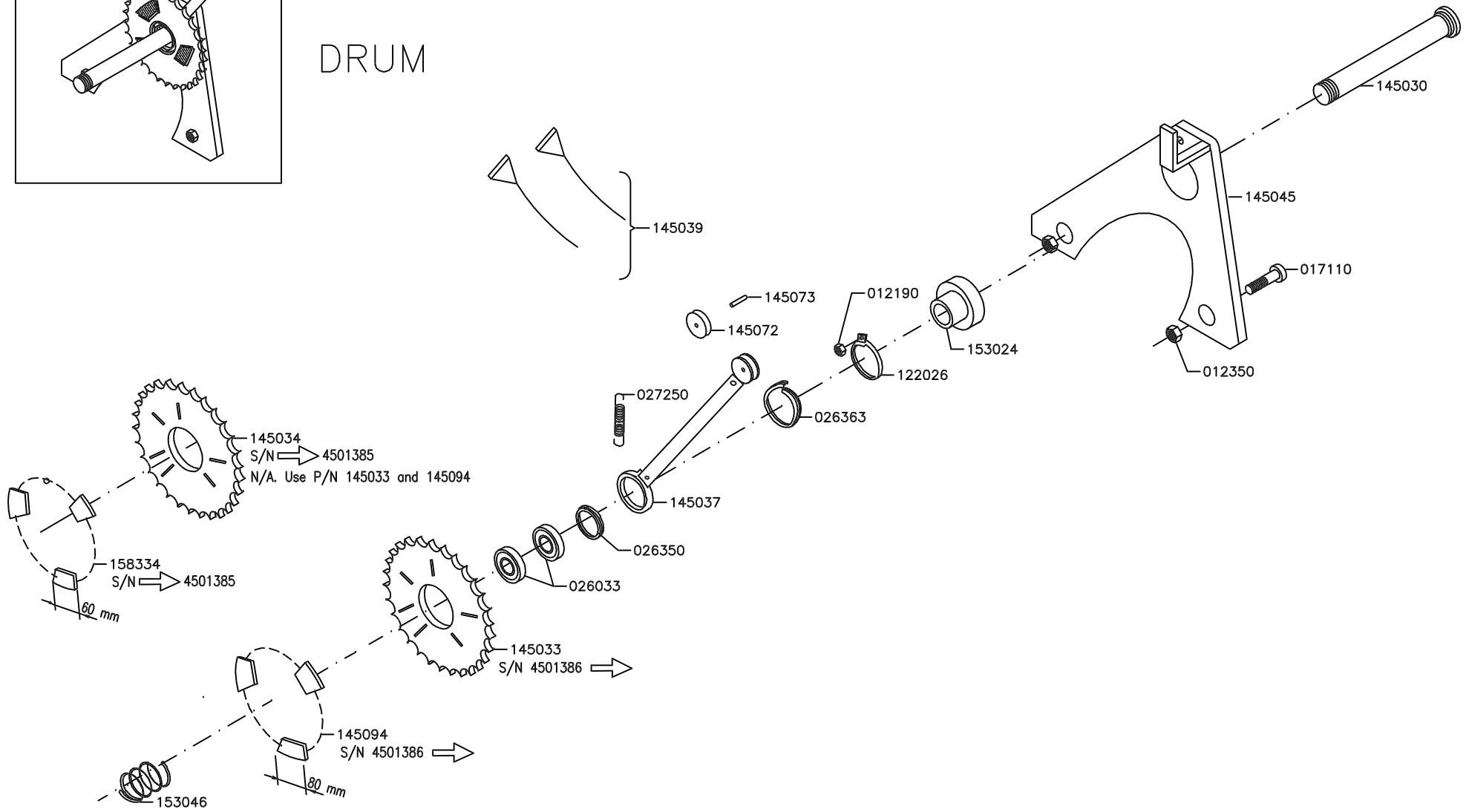
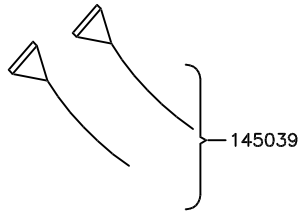
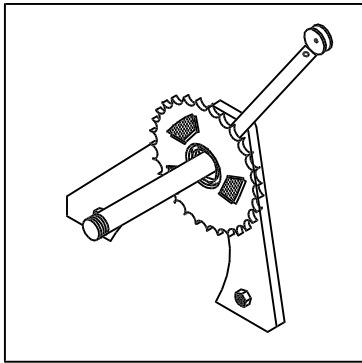
NORSE 450

DRUM



NORSE 450

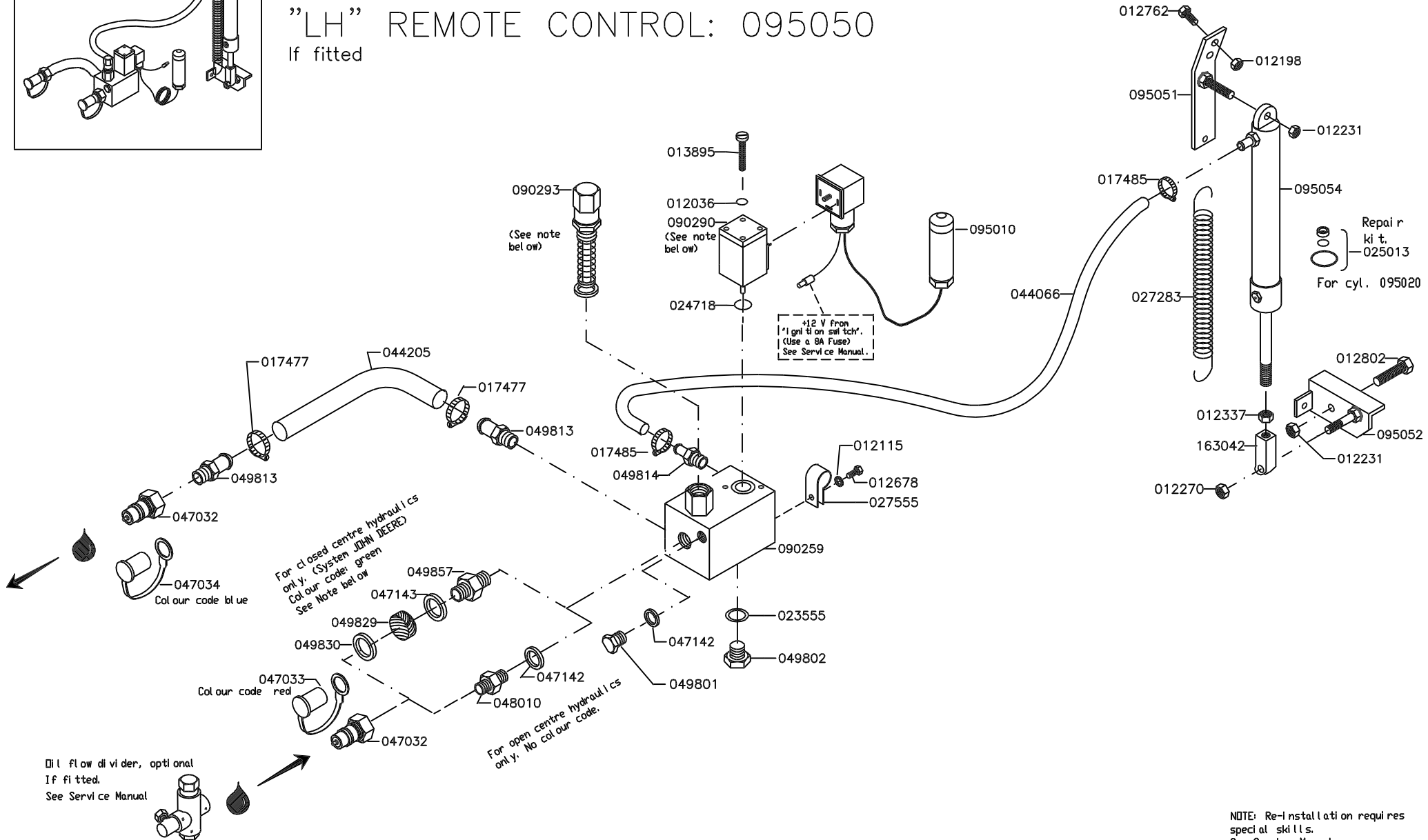
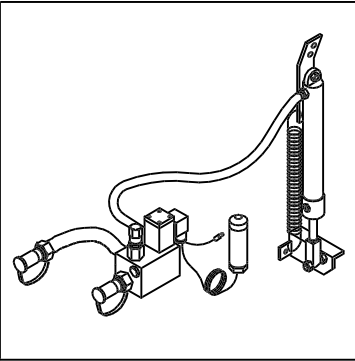
DRUM



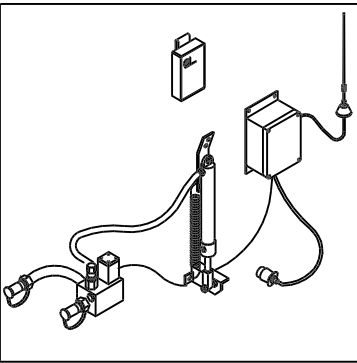
NORSE 450

"LH" REMOTE CONTROL: 095050

If fitted



NOTE: Re-Installation requires special skills. See Service Manual.

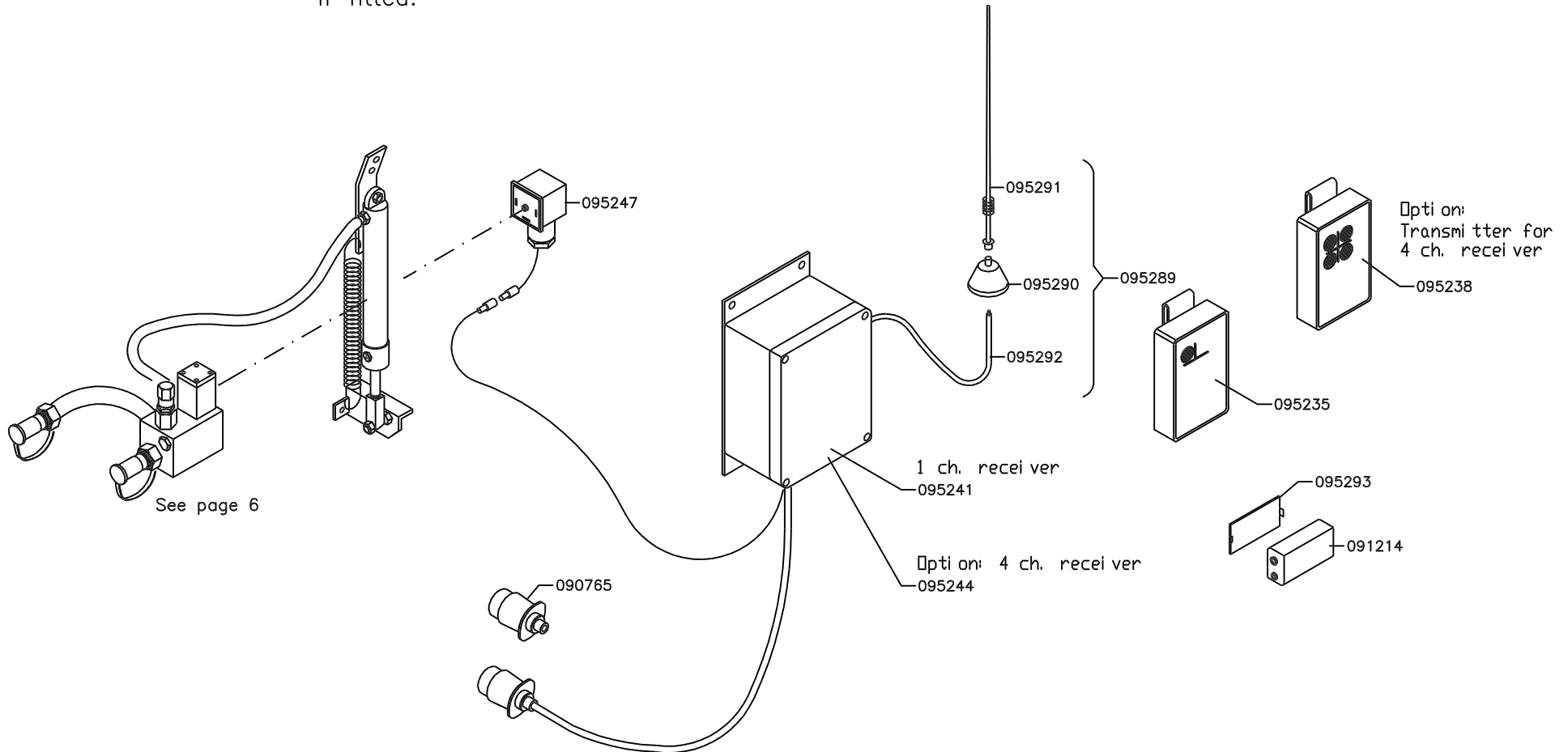


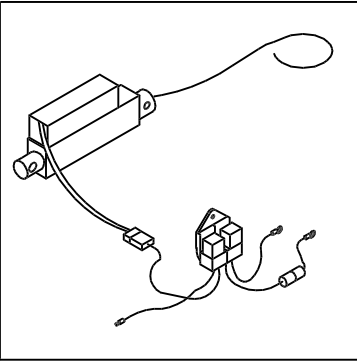
NORSE 450

RADIO REMOTE CONTROL KIT, C/W HYDRAULICS: 095229
RADIO REMOTE CONTROL KIT,
WITHOUT HYDRAULICS: 095232

Additional price for 4 ch. transmitter/receiver – 095231

(Transmitter, Receiver and Hydraulics)
If fitted.





NORSE 450

RPM ACTUATOR, compl.: 091442
On/off function

RPM ACTUATOR, compl.: 091443
Stepless function.

If fitted.

