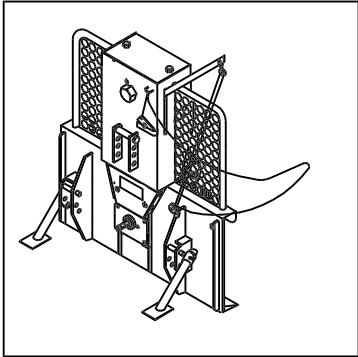


NORSE 490, Parts Catalogue

Serial No.: 4900001 →



GENERAL INFO:

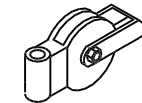
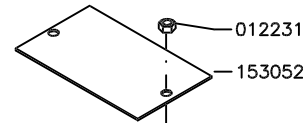
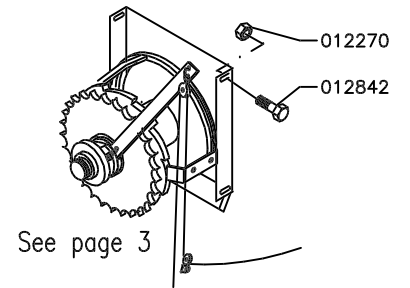
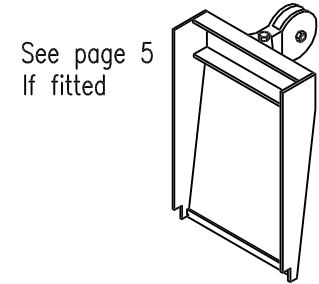
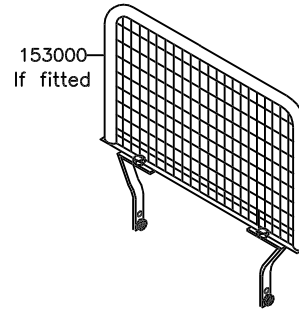
This Catalogue: P/N 395006

This Parts Catalogue consists of 10 numbered pages.

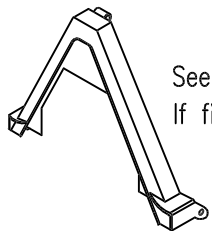
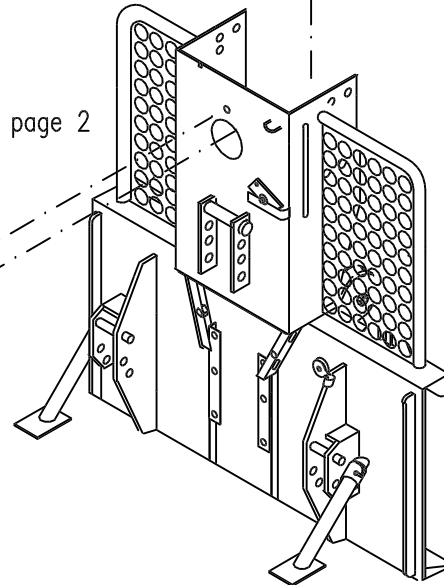
- Gjengivelse av tekst og tegninger uten tillatelse forbudt.
- Reproduction of text or illustrations without permission is prohibited.
- Eine Wiedergabe von Texten und Zeichnungen ohne unsere Genehmigung ist nicht gestattet.
- Interdiction de toute reproduction de textes ou d'illustrations sans autorisation préalable.

N/A: Not Available

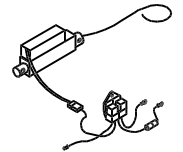
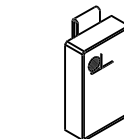
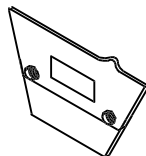
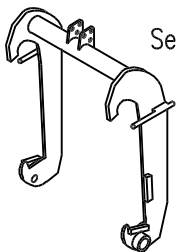
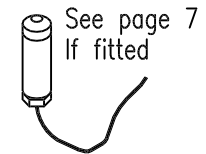
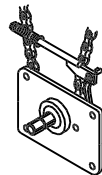
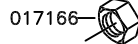
© IGLAND AS



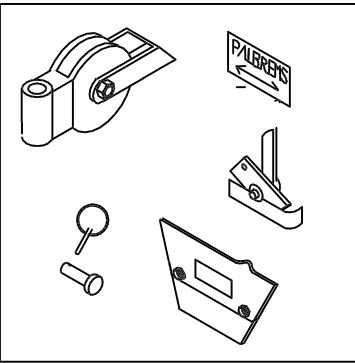
See page 2



See page 4

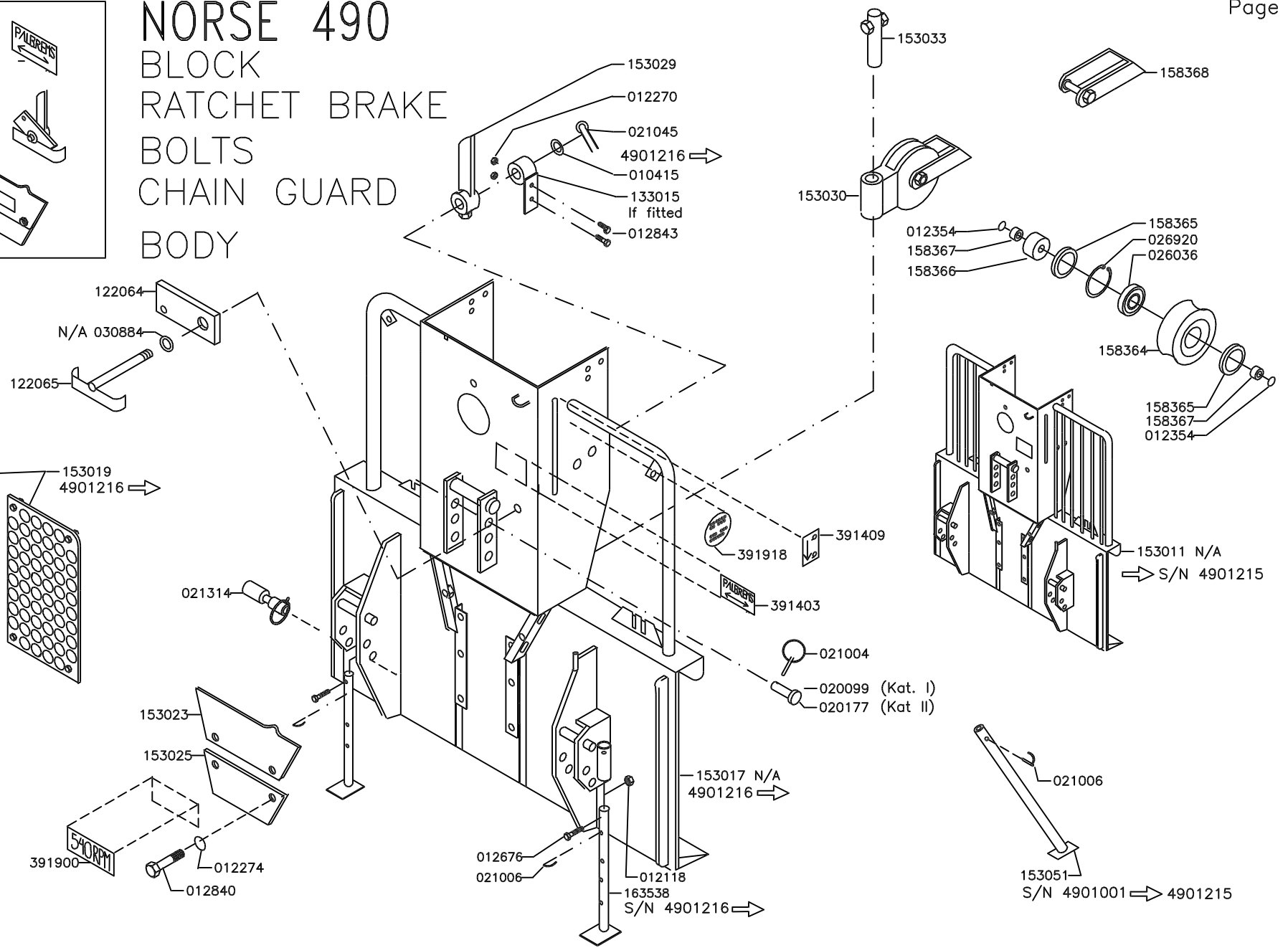


Approved:	Revised: T.K. 19.11.01
	Issued: AIS 01.04.99



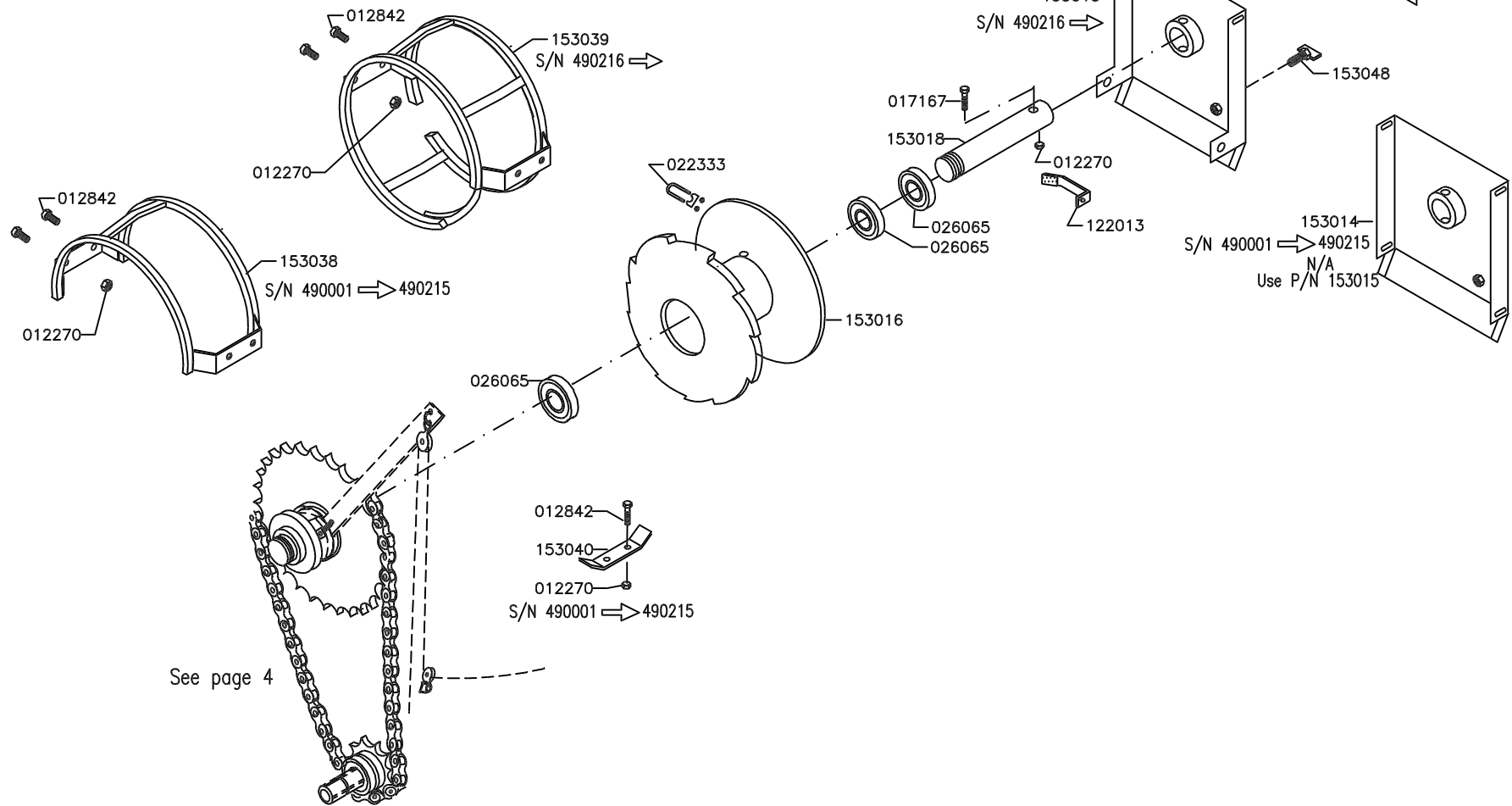
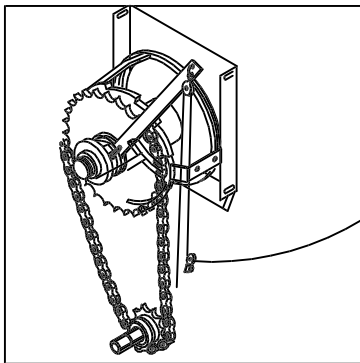
NORSE 490

BLOCK
RATCHET BRAKE
BOLTS
CHAIN GUARD
BODY



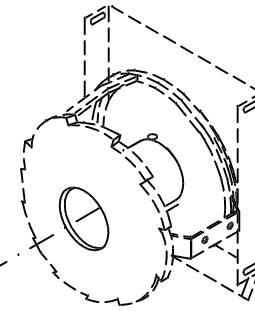
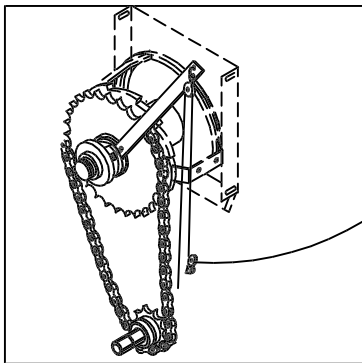
NORSE 490

DRUM

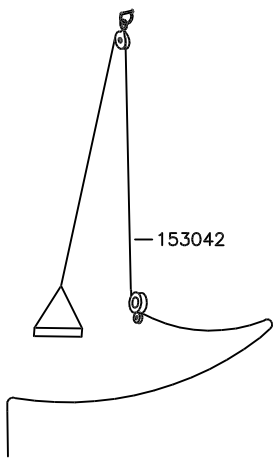


NORSE 490

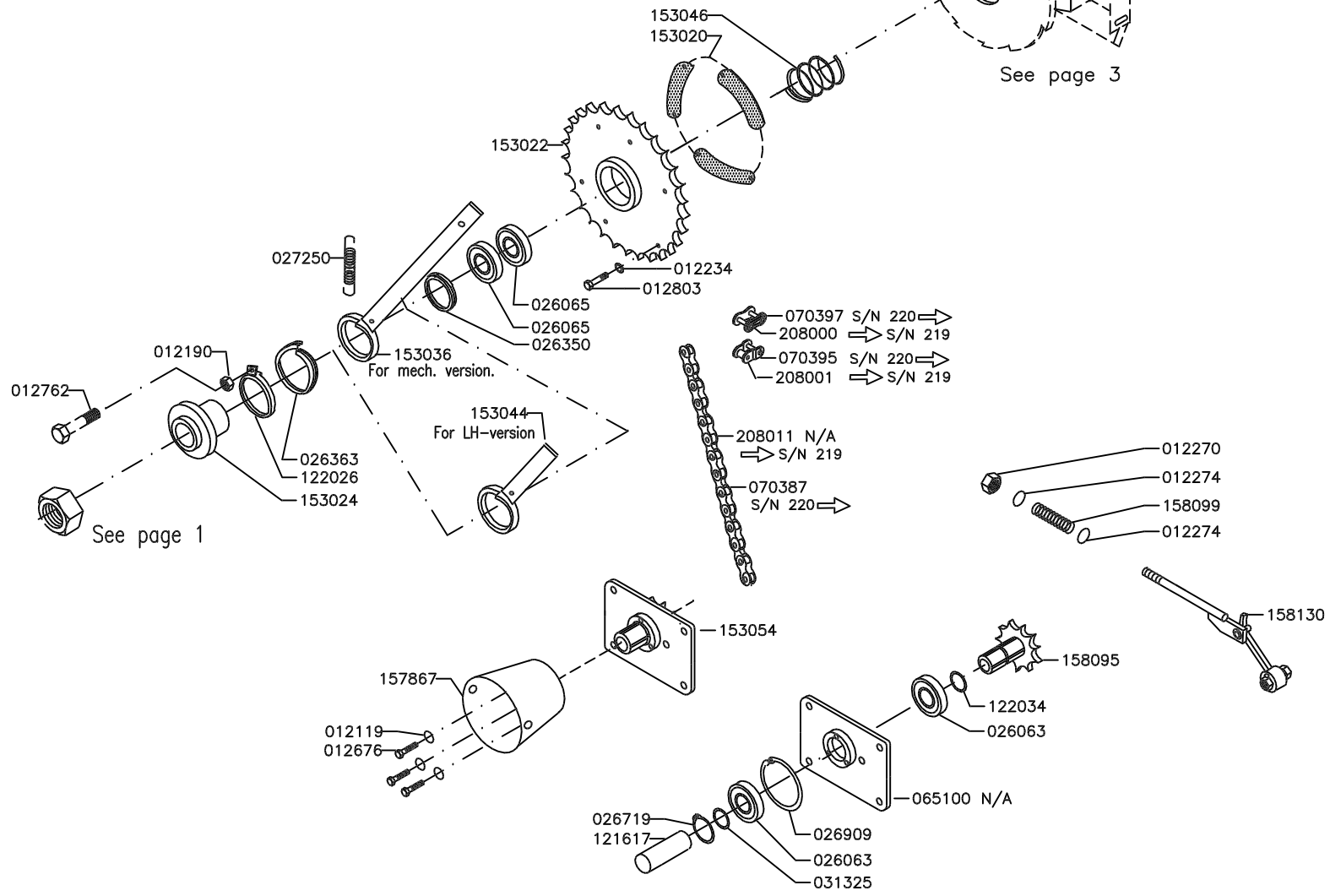
DRUM



See page 3



153042

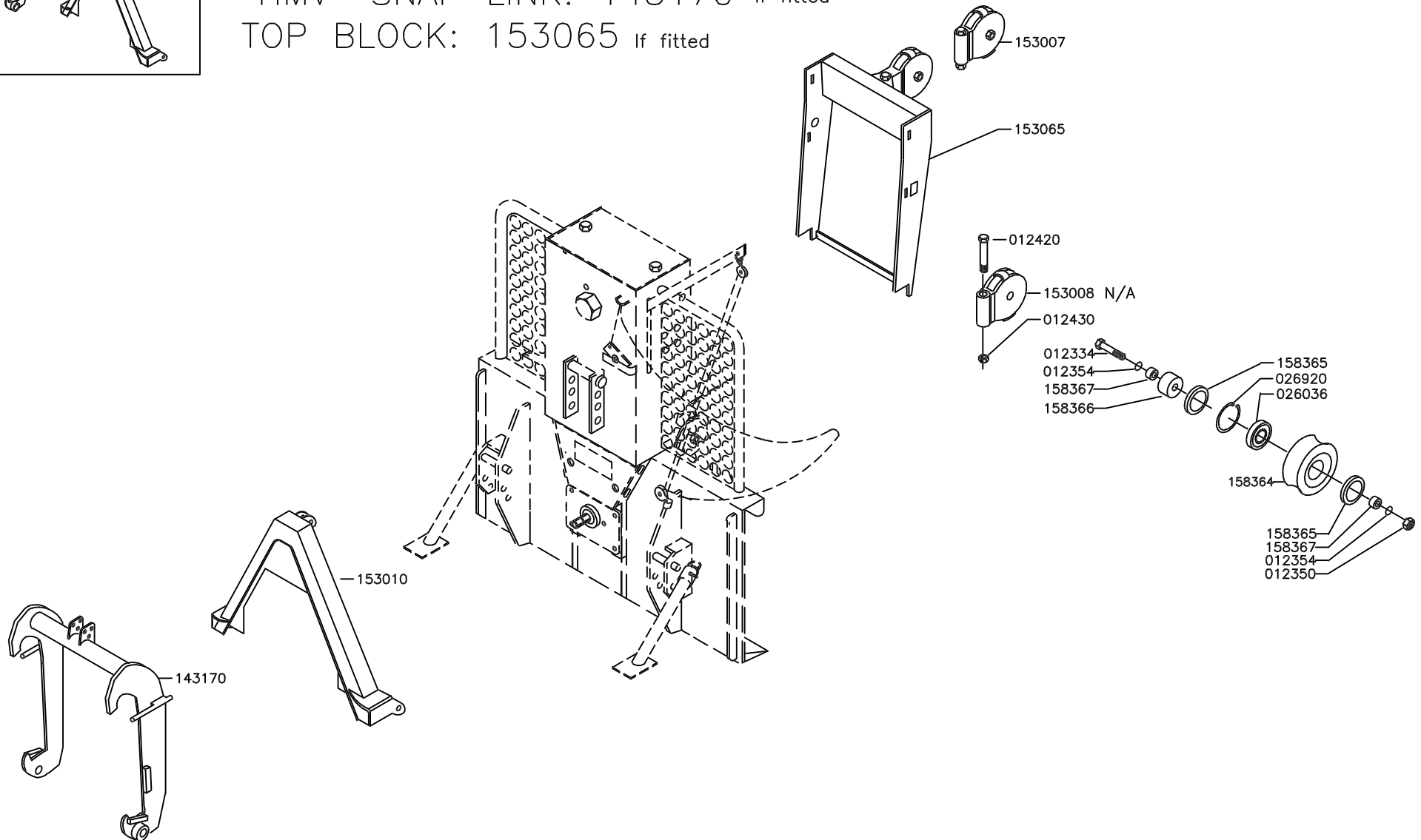
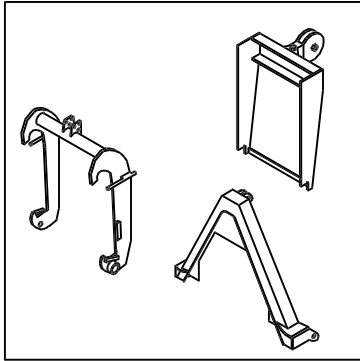


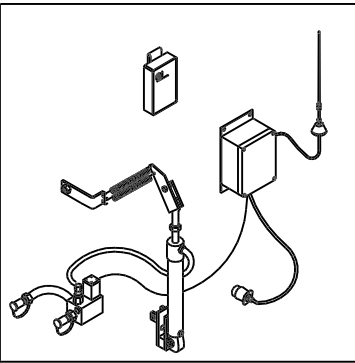
NORSE 490

TRIANGEL SNAP LINK: 153010 If fitted

"HMV" SNAP LINK: 143170 If fitted

TOP BLOCK: 153065 If fitted





NORSE 490

RADIO REMOTE CONTROL KIT, C/W HYDRAULICS: 095230

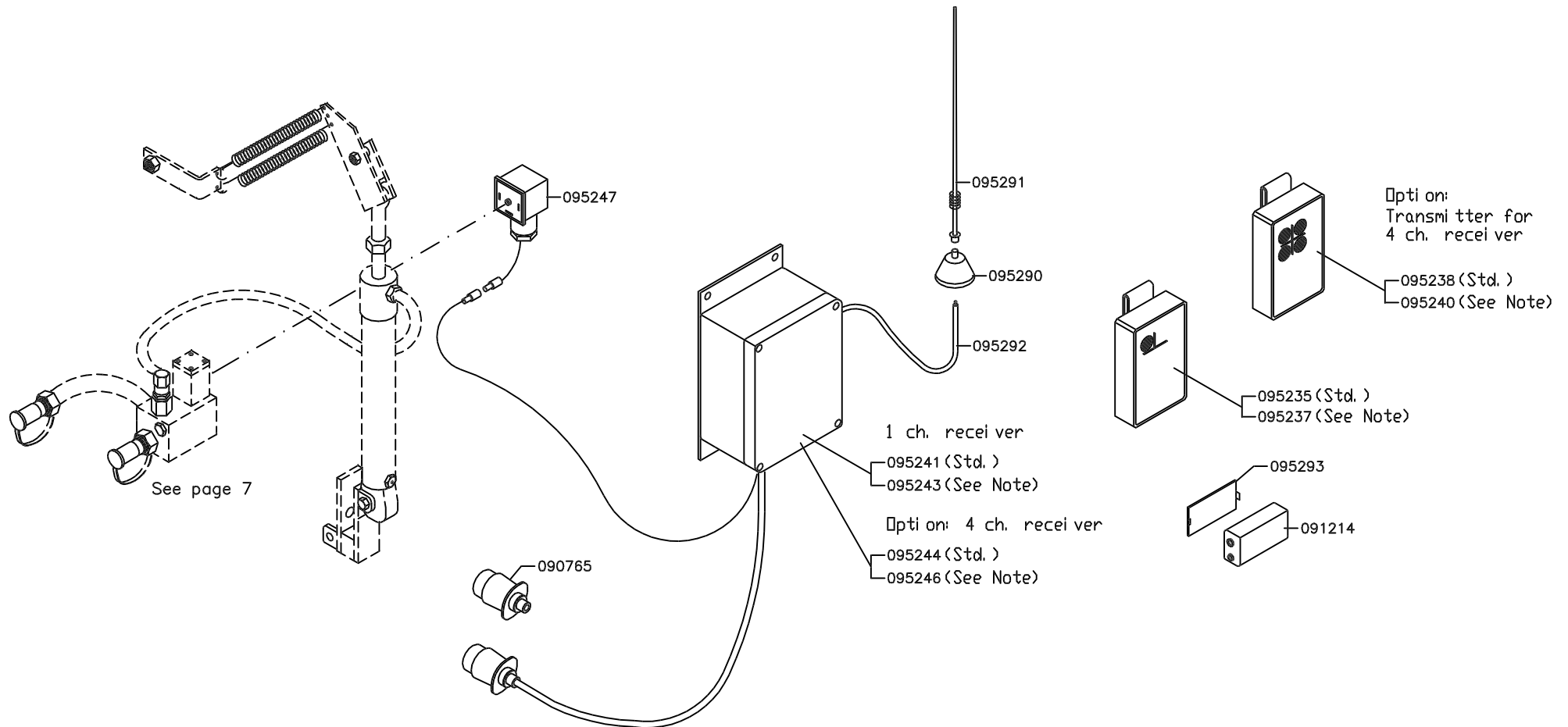
Additional price for 4 ch. transmitter/receiver

- 095231

Add. price for frequency for Great Britain/Slovenia

- 091163

(Transmitter, Receiver and Hydraulics)
If fitted.

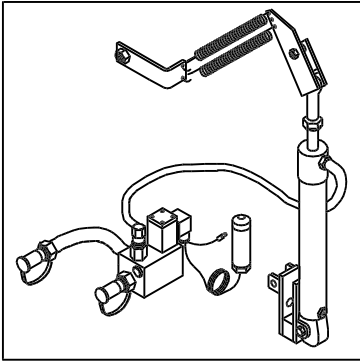


Note: Frequency for Great Bri tai n/Sl oveni a

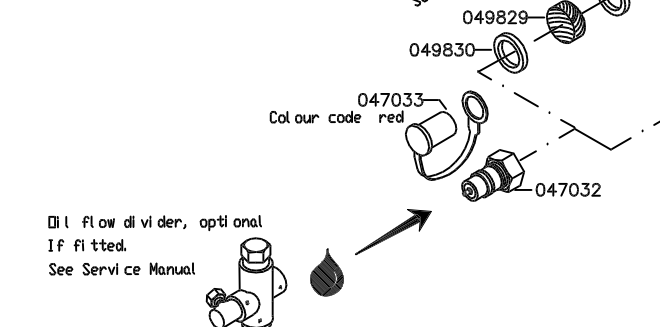
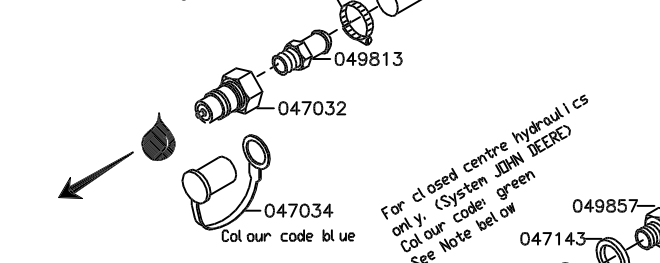
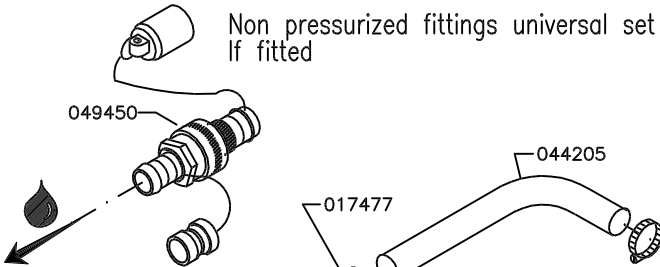
NORSE 490

"LH" REMOTE CONTROL

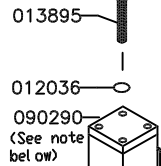
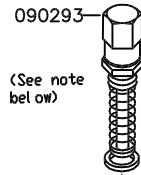
If fitted



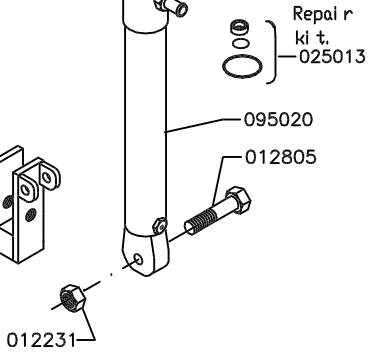
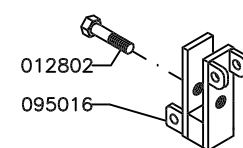
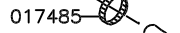
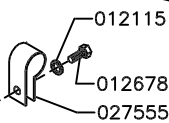
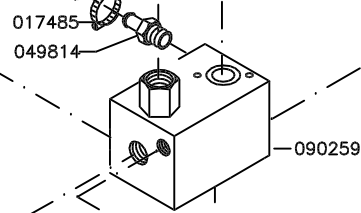
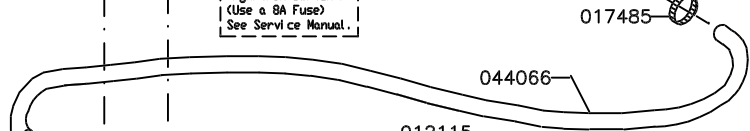
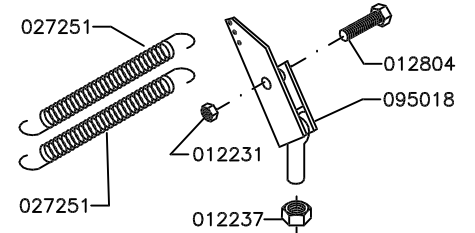
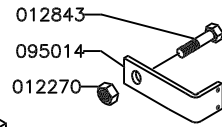
Non pressurized fittings universal set
If fitted



Oil flow divider, optional
If fitted.
See Service Manual

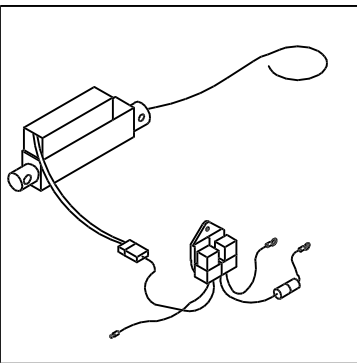


+12 V from
"Ignition switch".
(Use a 8A Fuse)
See Service Manual.



NOTE: Re-Installation requires special skills.
See Service Manual.

NORSE 490



RPM ACTUATOR, compl.: 091442

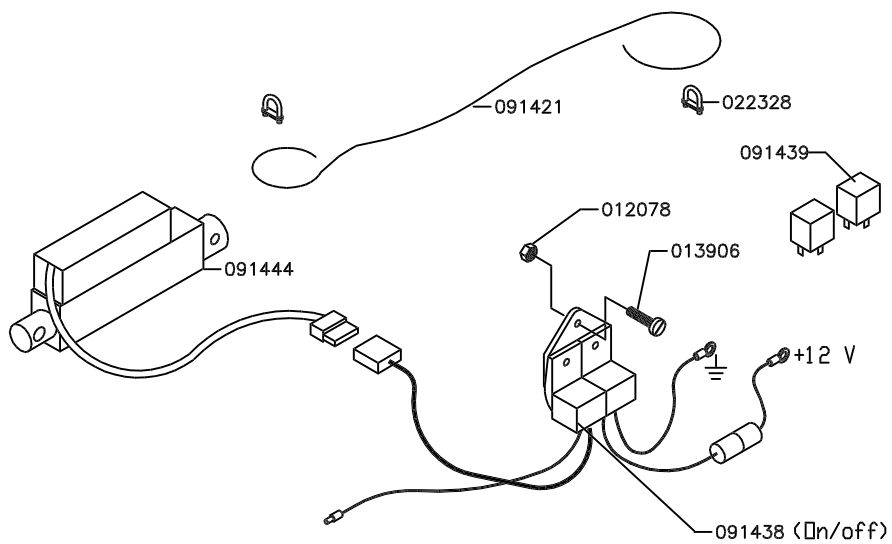
On/off function

RPM ACTUATOR, compl.: 091443

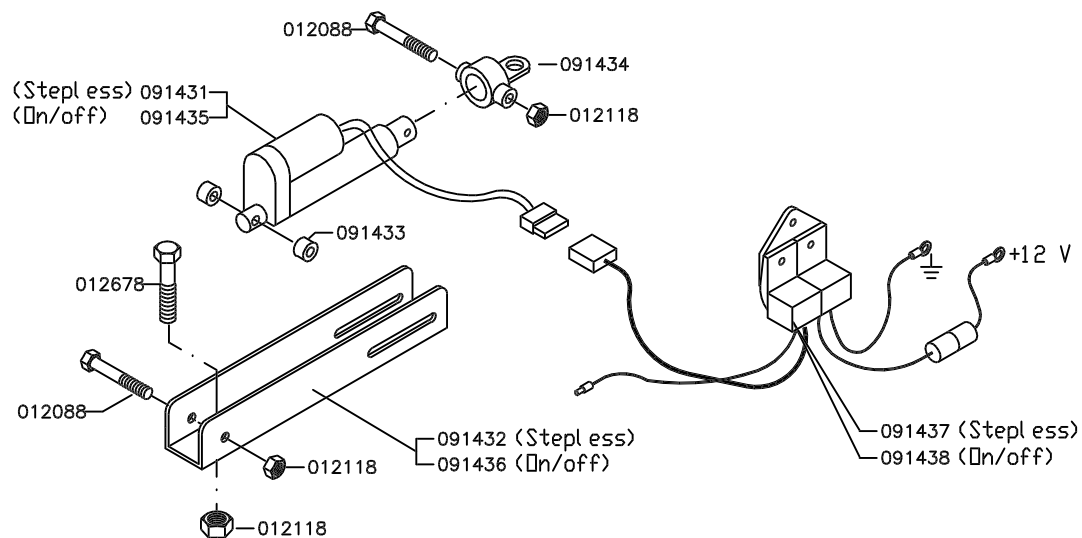
Stepless function.

If fitted.

Later version



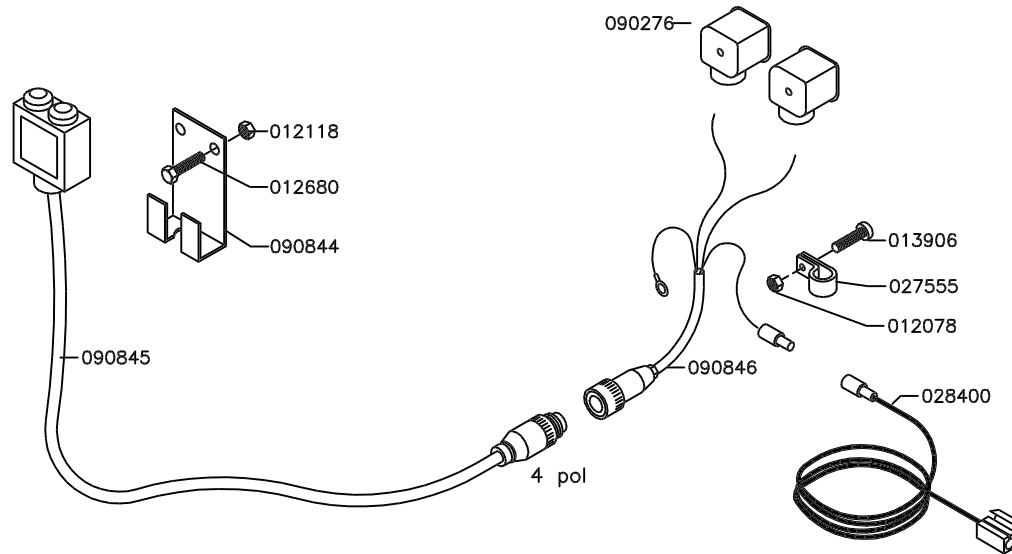
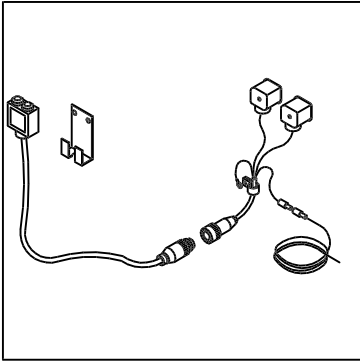
Early version



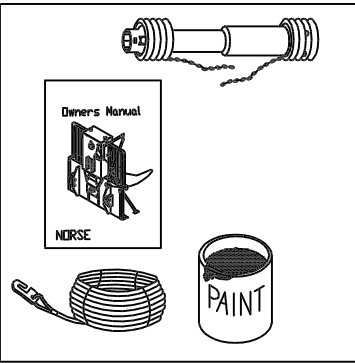
NORSE 490

ELECTROHYDRAULIC CONTROL

Electrical components
For automatic brake version only



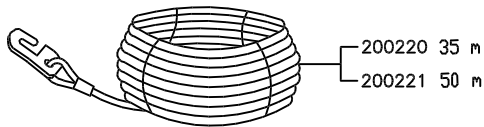
+12 V from
'ignition switch'
(Use a 8A fuse)
See service manual.



NORSE 490

Miscellaneous

WIRE ROPE, 6x26WS+IWRC 180 kp, 11 mm



WIRE ROPE, according to ISO 4254-4

