

Pos.	PartNo.	Number	Description
1	—	1	DRIVE UNIT
2	253510	1	Input drive shaft and chain wheel cpl. w/housing
3	251079	1	Top block cpl.
4	253517	1	Center block cpl.
5	—	1	Wire rope brake
6	251025	1	Lever w/pulley
7	251017	1	Ratchet brake cpl.
8	253512	1	Chain tightener
8-1	251001	1	Spring
9	251053	2	Lower link pin w/linch pin
9-1	251517	2	Linch pin 7/16"
10	251095	2	Locking pin
11	251204	2	Adjustable legs
12	253501	1	Upper cover w/screws
13	253506	1	Lower cover w/screws
14	253507	1	Lower cover w/screws, rear
15	251027	1	Pulley
16	253511	1	Chain 3/4" duplex, 73 links
16-1	251201	1	3/4" duplex chain joining link
17	253332	1	Parking leg cpl.

DISTRIBUTOR:

MANUFACTURER:

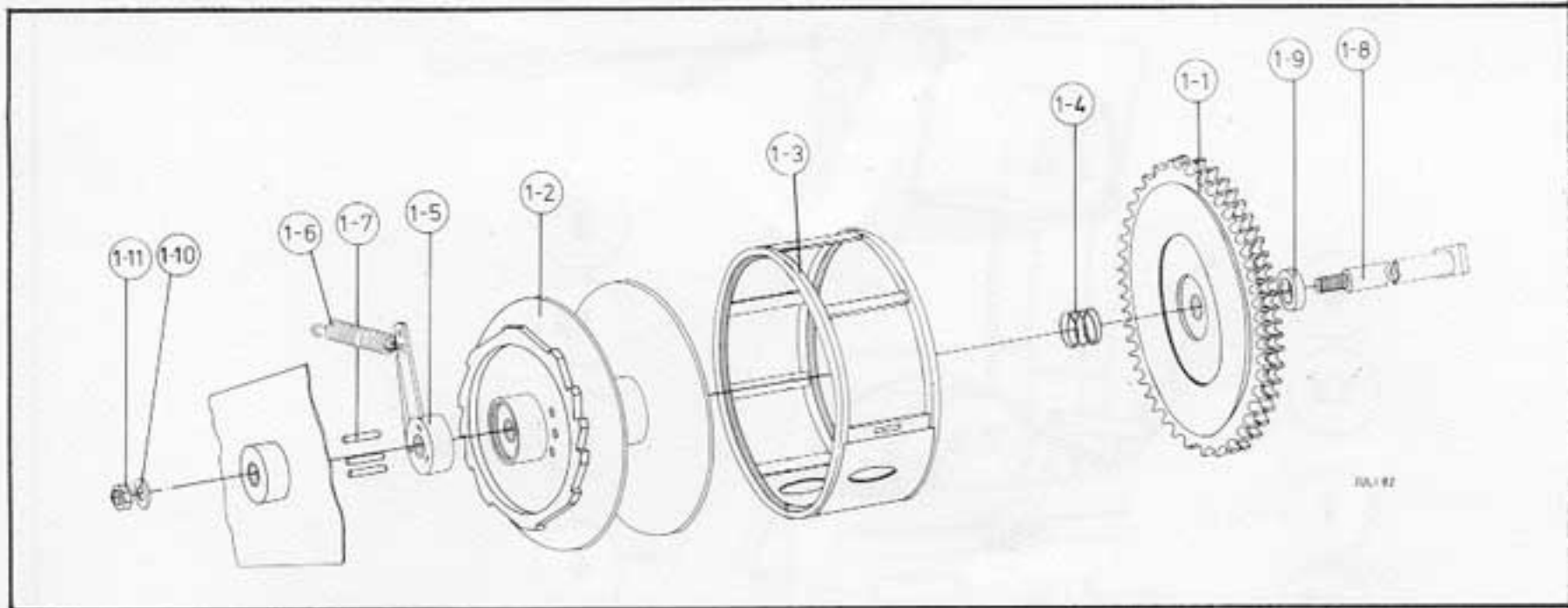


**Elkem as**  
**Formek**

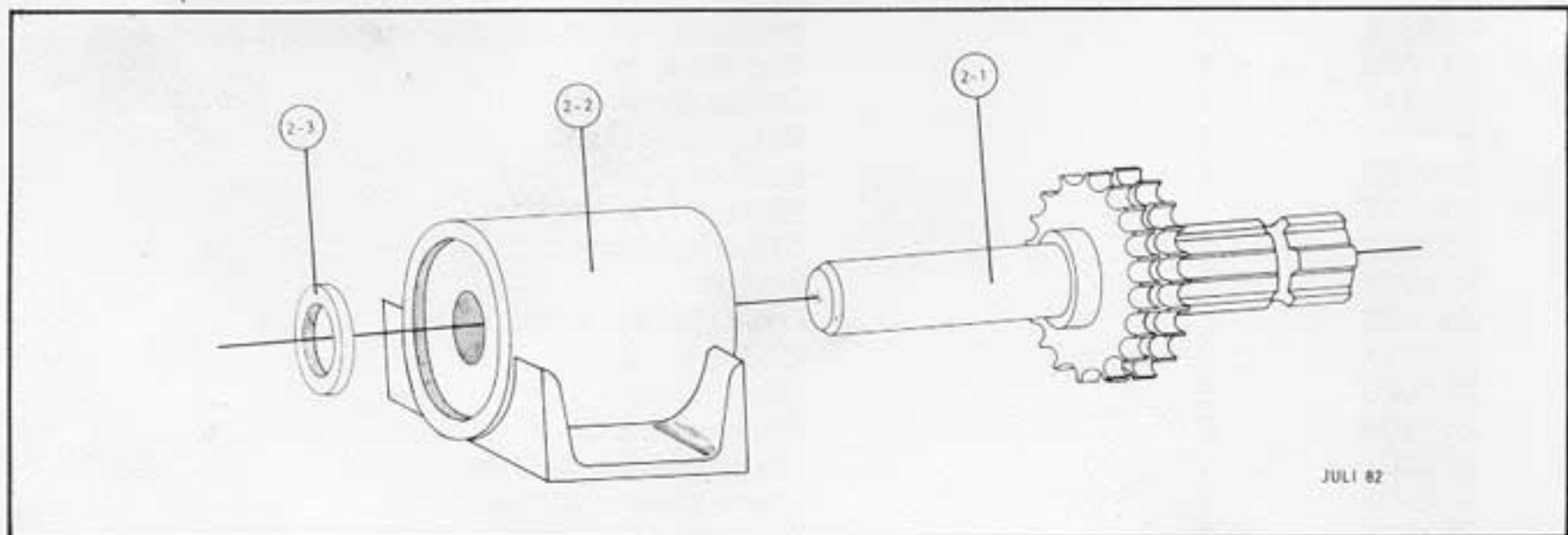
P.O. Box 130  
3160 STOKKE, NORWAY  
Tel. 033/36 320  
Telex 21 648 norske n



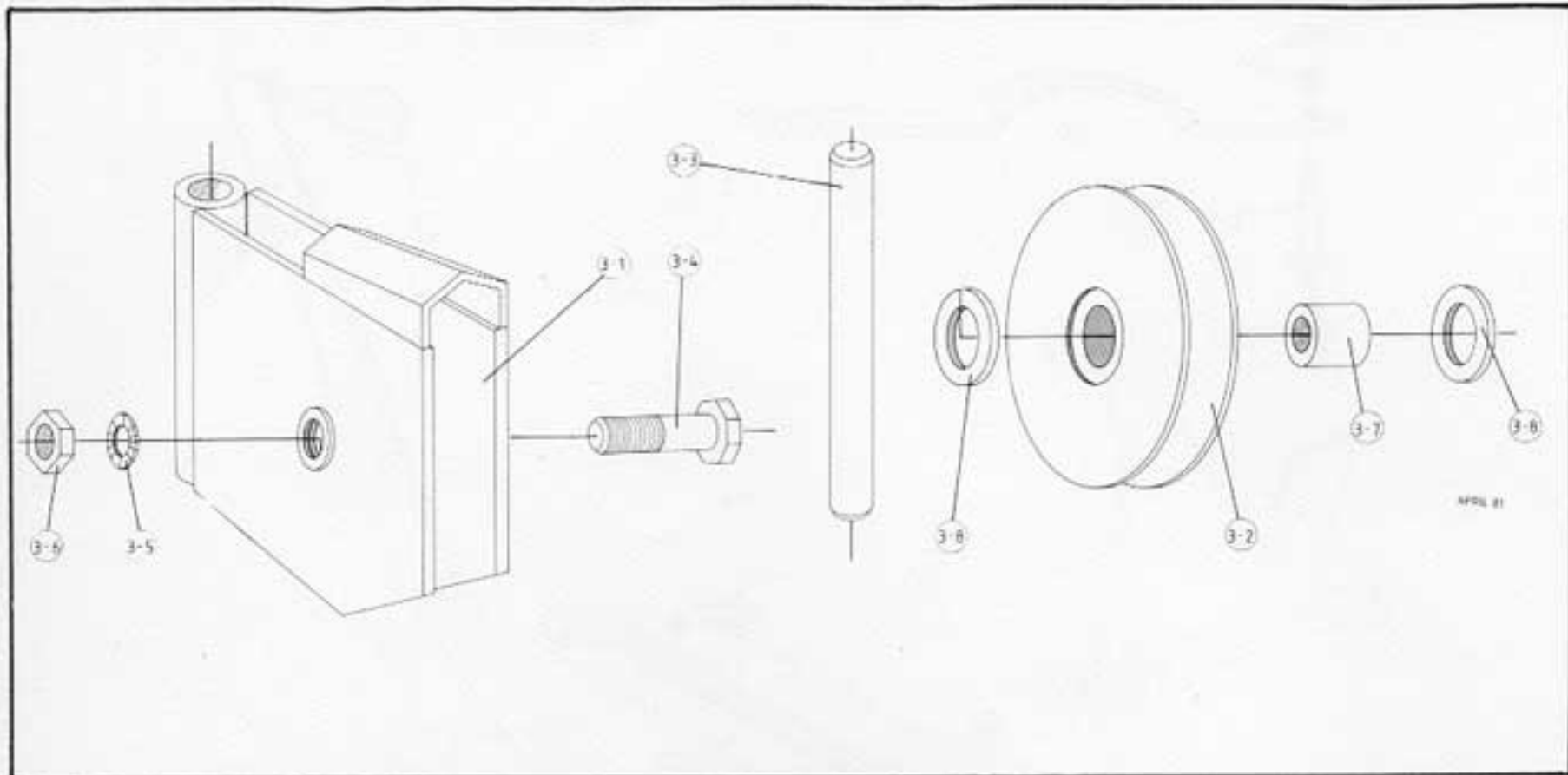
**Elkem as**  
Formek



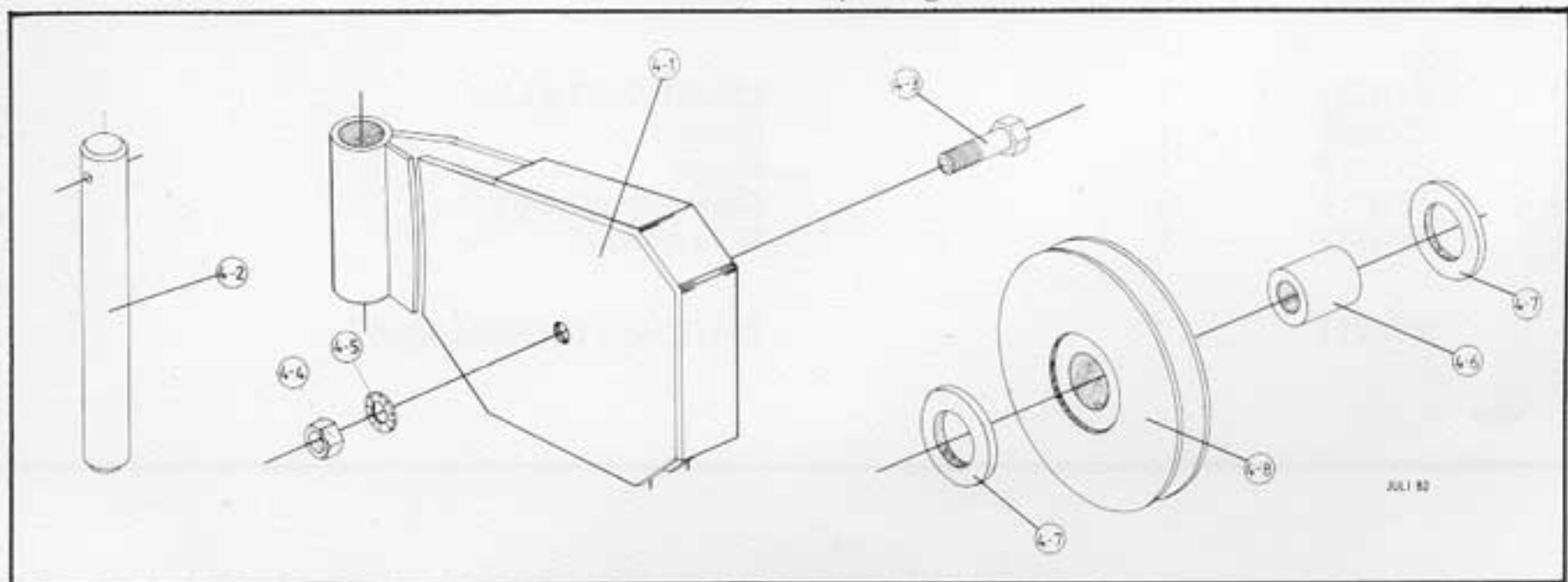
Pos.	Part No.	Number	Description
1	-	1	DRIVE UNIT
1- 1	251036	1	Chain wheel w/bearing and clutch lining
1- 1A	251514	2	Ball bearing 6307 2RS
1- 1B	251037	1	Clutch lining
1- 2	251039	1	Wire drum w/bearing
1- 2A	251514	3	Ball bearing 6307 2RS
1- 3	251038	1	Wire guard w/screws
1- 4	251533	1	Spring
1- 5	251040	1	Clutch arm
1- 6	251001	1	Spring
1- 7	251018	3	Clutch pins
1- 8	251034	1	Main shaft
1- 9	251035	1	Spacing washer
1-10	<del>251509</del> 1537	1	Washer
1-11	<del>251508</del> 1538	1	Nut 1" UNF



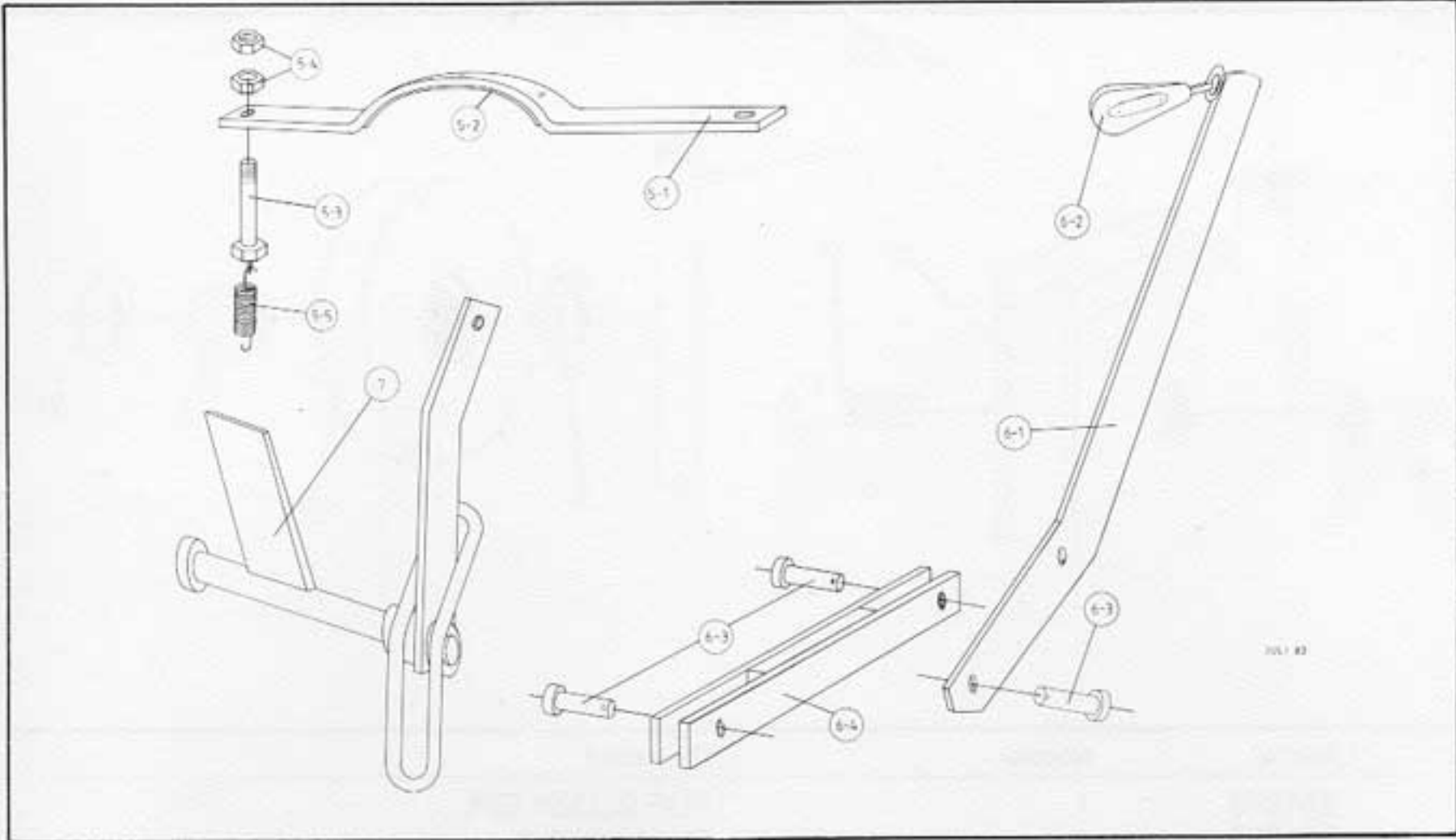
Pos.	Part No.	Number	Description
2	253510	1	INPUT DRIVE SHAFT CPL. W/HOUSING
2-1	253508	1	Sprocket w/shaft
2-2	253509	1	Housing w/bearings
2-2A	251514	2	Ball bearing 6307 2RS
2-3	251088	1	Stop washer (to be welded on)



Pos.	Part No.	Number	Description
3	251079	1	TOP BLOCK CPL.
3-1	251092	1	Block housing
3-2	251030	1	Block wheel $\varnothing$ 160 w/bearing
3-2A	251514	1	Ball bearing 6307 2RS
3-3	251049	1	Mounting bolt
3-4	251527	1	Hexagonal bolt w/washer & nut
3-5			
3-6			
3-7	251090	1	Spacing sleeve
3-8	251091	2	Spacing washer



Pos.	Part No.	Number	Description
4	253517	1	CENTER BLOCK CPL.
4-1	251093	1	Block housing
4-2	251094	1	Mounting bolt w/cotter
4-3	251527	1	Hexagonal bolt w/washer & nut
4-4			
4-5			
4-6	251090	1	Spacing sleeve
4-7	251091	2	Spacing washer
4-8	251077	1	Block wheel $\varnothing$ 145 w/bearing
4-8A	251514	1	Ball bearing 6307 RS



Pos.	Part No.	Number	Description
5	-	1	WIRE ROPE BRAKE
5-1	251043	1	Brake w/lining
5-2	251044	1	Brake lining w/nails
5-3	251020	1	Adjustment bolt w/2 nuts
5-4			
5-5	251001	1	Spring
6	251025	1	LEVER W/PULLEY
6-1	253333	1	Lever
6-2	251027	1	Pulley
6-3	251024	3	Clevis pin w/split pin
6-4	251022	1	Connection
7	251017	1	RATCHET BRAKE CPL.